

Valterra Mounted Cable Valve Installation Instructions

CABLE/HANDLE ASSEMBLY CAN BE MOUNTED TO AN RV SIDE WALL WITH THE BRACKET PROVIDED OR INSTALLED WITHOUT THE BRACKET THROUGH AN INTERNAL RV COMPARTMENT WALL

Important! For a Correct Installation Please Note:

- See reverse for Cable Routing and Securing Guide
- Make sure the red tab (D) is in place next to handle before connecting cable to valve
- Remove the red tab (D) after the installation

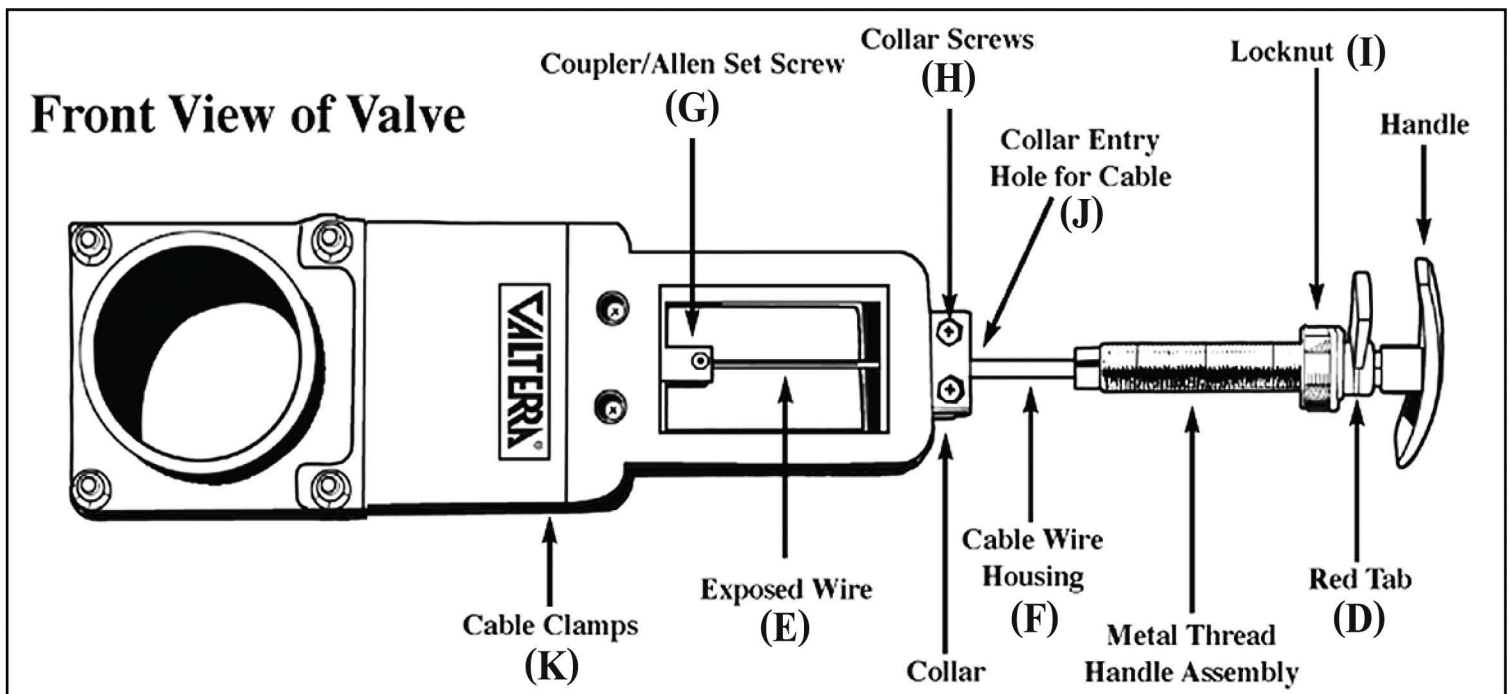
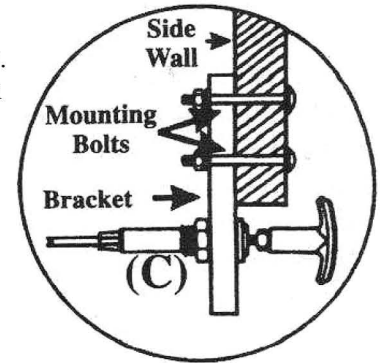
Before beginning installation, position cable in desired position from valve to side wall. Any excess cable that can't be secured with zip tie or P clip needs to be removed so cable will not dangle. If you find it necessary to shorten the cable follow these steps:

- To remove any excess cable that cannot be properly secured, back the wire (E) a sufficient distance back into the cable housing (F) to prevent cutting the wire. Using wire cutters, cut the cable housing to the desired length. Be careful not to crimp the cable housing so that the wire moves freely inside the housing when opening or closing the valve
- Push the wire back into the housing until the red tab is tight against the threaded metal handle assembly
- Cut (wire cutters) the wire allowing the following lengths of exposed wire from the end of the wire housing: 3'' valve = 4-3/8'', 2'' valve = 3-3/4'', 1-1/2'' valve = 3-1/8''

FOR INSTALLATION WITH BRACKET FOLLOW STEPS 1, 2, 3 & 5.

FOR COMPARTMENT WALL INSTALLATION, FOLLOW STEPS 1, 2, 4 & 5:

- Remove all 4 bolts and pull out old valve including seals. Place new seals over the lips of existing flanges.
- Remove cable clamps (K), and install new valve being careful not to dislodge seals. Place cable clamps back on valve and over existing flanges. Install new bolts and tighten
- For installation with bracket:
 - Find a location on RV side wall within reach of the cable. Hole for cable attachment on bracket should extend at least 2'' below bottom of RV side wall (C)
 - Place bracket against the wall and mark where holes are to be drilled (minimum 2 holes). Use 1/4'' bit to drill side wall. Note: If bracket is too long, it can be cut using a hack saw
 - Install carriage bolts from outside through wall and bracket. Add lock washers, nuts, and tighten.
- For compartment wall installation, find a location on an internal compartment wall within reach of cable. Drill one 5/8'' hole for handle assembly
- Remove the locknut (I) from the cable housing assembly. Feed the cable through the mounting bracket or hold in the wall or chassis. Feed the locknut (I) back over the cable and fasten securely to the backside of the bracket or wall. With the red tab (D) in place, insert the cable housing (F) into the collar entry hole (J) and the wire (E) into the coupler (G). Tighten allen set screw in the coupler (G) & collar screws (H) in the collar. Secure the cable every 18'' to 24'' using a zip tie or P-clip. Open the valve, remove the red tab (D), and close valve completely. Installation is now complete.



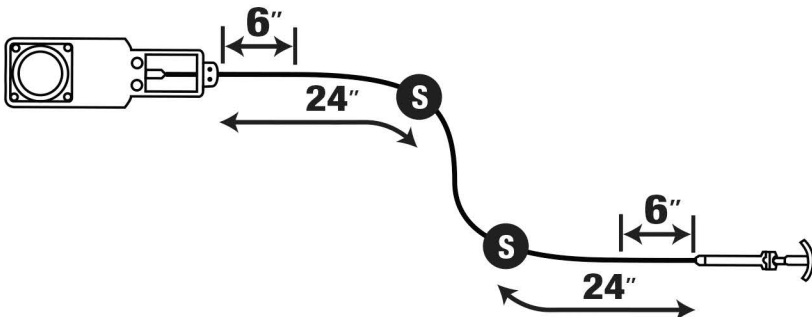
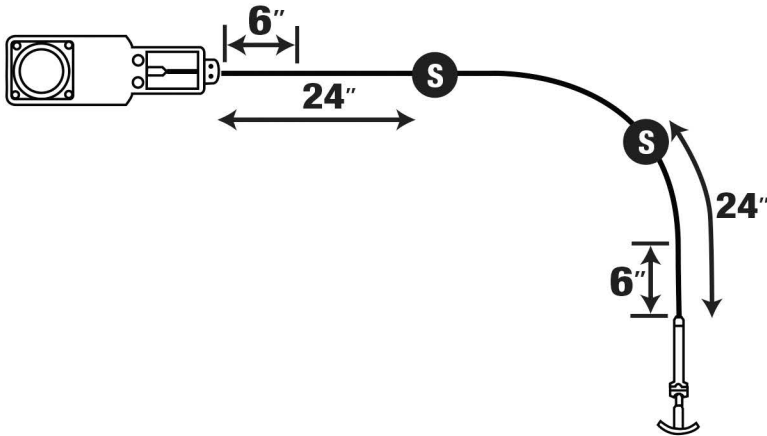
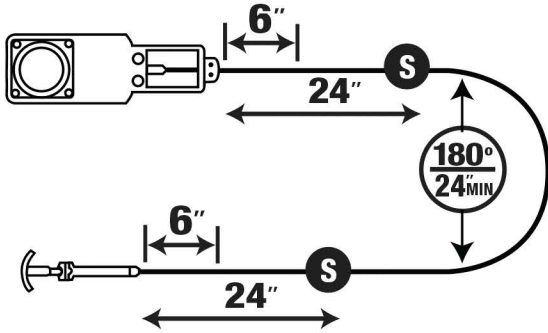
Cable Routing & Securing Guidelines
Guidelines Must Be Followed for Warranty Coverage

GOOD INSTALLATIONS:

S Cable Secured 24" from Valve & Handle

6" 6" straight cable exiting Valve & Handle

180° / 24" MIN Maximum 180° bend with 24" minimum diameter



BAD INSTALLATIONS
WARRANTY VOID:

