

Owner's Manual & Safety Instructions

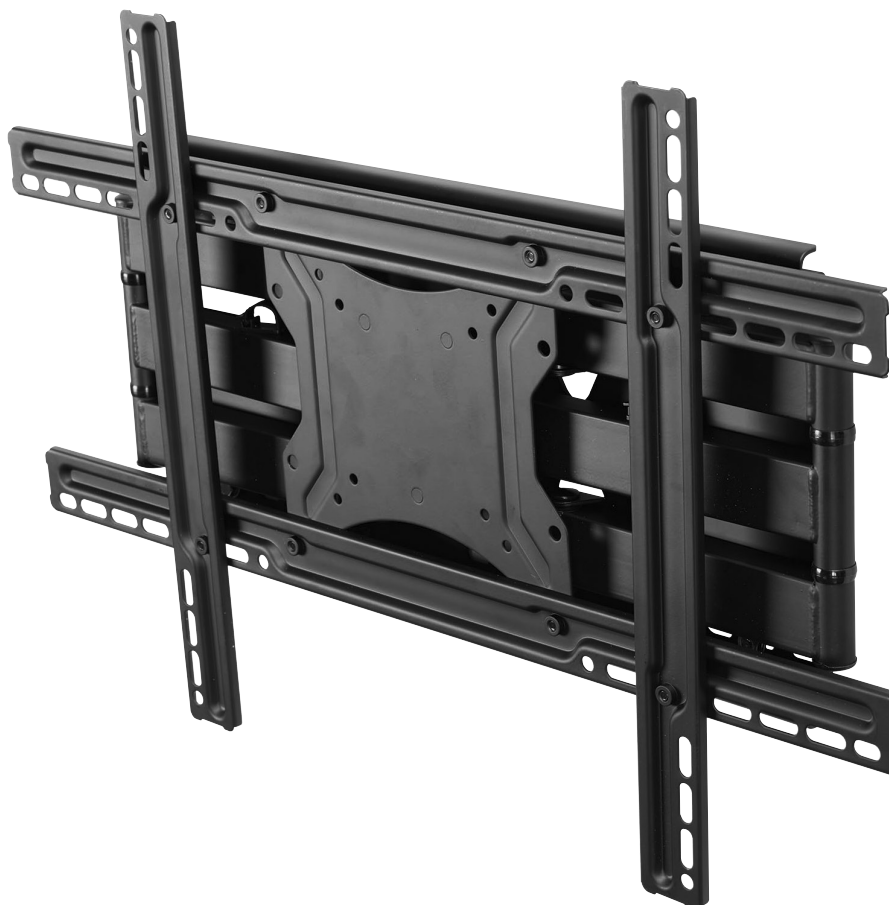
Save This Manual Keep this manual for the safety warnings and precautions, assembly, operating, inspection, maintenance and cleaning procedures. Write the product's serial number in the back of the manual near the assembly diagram (or month and year of purchase if product has no number). Keep this manual and the receipt in a safe and dry place for future reference.

171

ARMSTRONG™

37" - 80"

FULL-MOTION TV WALL MOUNT



Visit our website at: <http://www.harborfreight.com>
Email our technical support at: productsupport@harborfreight.com

64037

When unpacking, make sure that the product is intact and undamaged. If any parts are missing or broken, please call 1-888-866-5797 as soon as possible.

Copyright© 2017 by Harbor Freight Tools®. All rights reserved.
No portion of this manual or any artwork contained herein may be reproduced in any shape or form without the express written consent of Harbor Freight Tools. Diagrams within this manual may not be drawn proportionally. Due to continuing improvements, actual product may differ slightly from the product described herein. Tools required for assembly and service may not be included.

⚠ WARNING


**Read this material before using this product.
Failure to do so can result in serious injury.
SAVE THIS MANUAL.**

Table of Contents

Safety	2	Parts List.....	11
Specifications	3	Warranty	12
Installation	4		

SAFETY

WARNING SYMBOLS AND DEFINITIONS

	<p>This is the safety alert symbol. It is used to alert you to potential personal injury hazards. Obey all safety messages that follow this symbol to avoid possible injury or death.</p>
<p>⚠ DANGER</p>	<p>Indicates a hazardous situation which, if not avoided, will result in death or serious injury.</p>
<p>⚠ WARNING</p>	<p>Indicates a hazardous situation which, if not avoided, could result in death or serious injury.</p>
<p>⚠ CAUTION</p>	<p>Indicates a hazardous situation which, if not avoided, could result in minor or moderate injury.</p>
<p>NOTICE CAUTION</p>	<p>Addresses practices not related to personal injury.</p>

INSTALLATION

PARTS LIST

IMPORTANT SAFETY INFORMATION

Failure to heed these warnings may result in personal injury and/or property damage:

1. Do not exceed listed weight capacity. **Be aware of dynamic loading!** Sudden load movement may briefly create excess load causing product failure.
2. Do not mount to hollow wall, gypsum board, or similar material that will not support the weight of the TV. Mount only to structurally-sound 2" x 4" or larger wood stud or concrete/brick walls that can safely support combined weight of TV Mount, TV and all attached hardware and components.
3. Verify that mounting surface has no hidden utility lines before drilling or driving screws.
4. Wear ANSI-approved safety goggles and heavy-duty work gloves during installation.
5. Inspect before installing; do not mount to wall if parts are missing, loose or damaged.
6. Assemble and install only according to these instructions. Improper assembly and installation can create hazards and lead to personal injury and property damage.
7. Keep installation area clean and well lit.
8. Do not assemble or install when tired or when under the influence of drugs or medication.
9. Weight capacity and other product capabilities apply to properly and completely assembled product only.
10. Use as intended only. Use to mount VESA compliant TV to vertical wall only. Do not mount overhead or to non-vertical surface.
11. This product is not a toy. Do not allow children to play with or near this item.
12. Maintain product labels and nameplates. These carry important safety information. If unreadable or missing, contact Harbor Freight Tools for a replacement.
13. The warnings, precautions, and instructions discussed in this instruction manual cannot cover all possible conditions and situations that may occur. It must be understood by the operator that common sense and caution are factors which cannot be built into this product, but must be supplied by the operator.
14. **Carefully read TV instructions before installation. Harbor Freight Tools is not responsible for damage caused by failure to follow TV mounting instructions, improper installation, or improper/loose hardware.**



SAVE THESE INSTRUCTIONS.

Specifications

Weight Capacity	130 lb
TV Size Range	about 37" to 80" diagonal
VESA Compliance (in mm)	100x100 200x100 200x200 300x300 400x200 400x400 600x400

Installation Instructions



Read the **ENTIRE IMPORTANT SAFETY INFORMATION** section at the beginning of this manual including all text under subheadings therein before set up or use of this product.

CAUTION

TO PREVENT INJURY: THIS BRACKET IS INTENDED FOR USE WITH A PRODUCT WEIGHING NOT MORE THAN 130 POUNDS AND HAVING DIMENSIONS THAT WILL PERMIT IT TO MOUNT EVENLY ON THIS BRACKET. (SEE INSTRUCTIONS.) USE WITH OTHER PRODUCTS MAY RESULT IN THE COLLAPSE OF THE MOUNT AND ITS ACCESSORIES CAUSING POSSIBLE INJURY.

Mount Wall Mount

Wood Studs

WARNING! Do not use included hardware on steel stud wall. If mounting to a steel stud wall, use appropriate hardware.

1. Verify wood studs are at least 16" apart and at least 2" x 4" in size. Use a stud finder (sold separately) to find two adjacent studs 16" apart. Mark locations of studs.

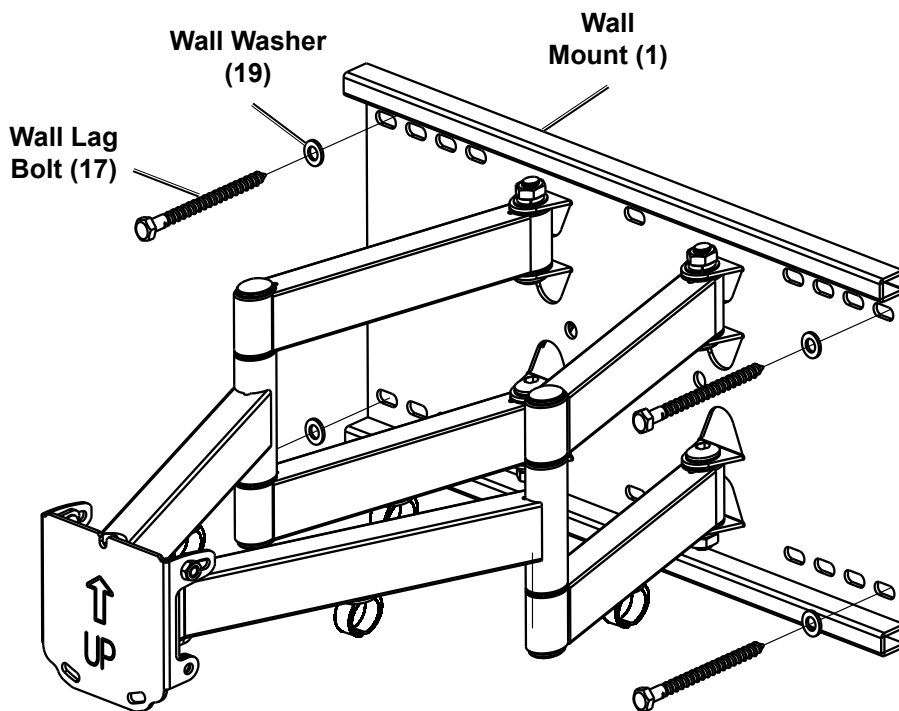
WARNING! Verify that mounting surface has no hidden utility lines before drilling or driving screws.

2. Set Wall Mount (1) against wall at desired height. Place a level (sold separately) on top of Wall Mount, adjust until level. Mark locations of mounting holes.

3. Drill four 3/16" holes 3-1/2" deep into studs at marked locations.

WARNING! Only mount Wall Mount to wood studs. Do not mount Wall Mount to drywall or plaster.

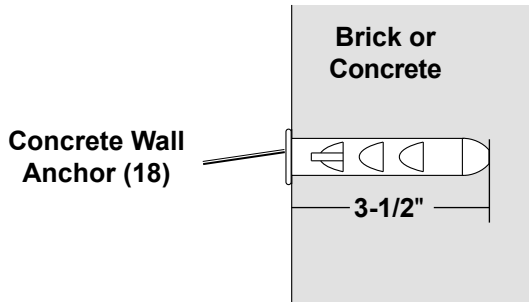
4. Use four Wall Lag Bolts (17) and four Wall Washers (19) to mount Wall Mount to wood studs. Use a level to adjust the Wall Mount until it is completely level before final tightening of the Lag Bolts.



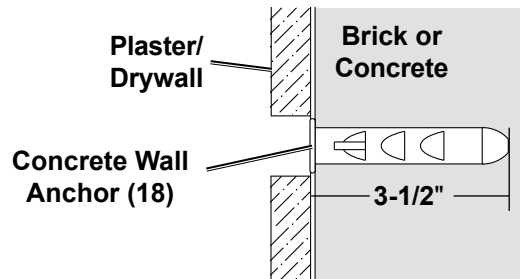
Brick or Concrete

WARNING! Do not use included hardware on cinder block wall. If mounting to a cinder block wall, use appropriate hardware.

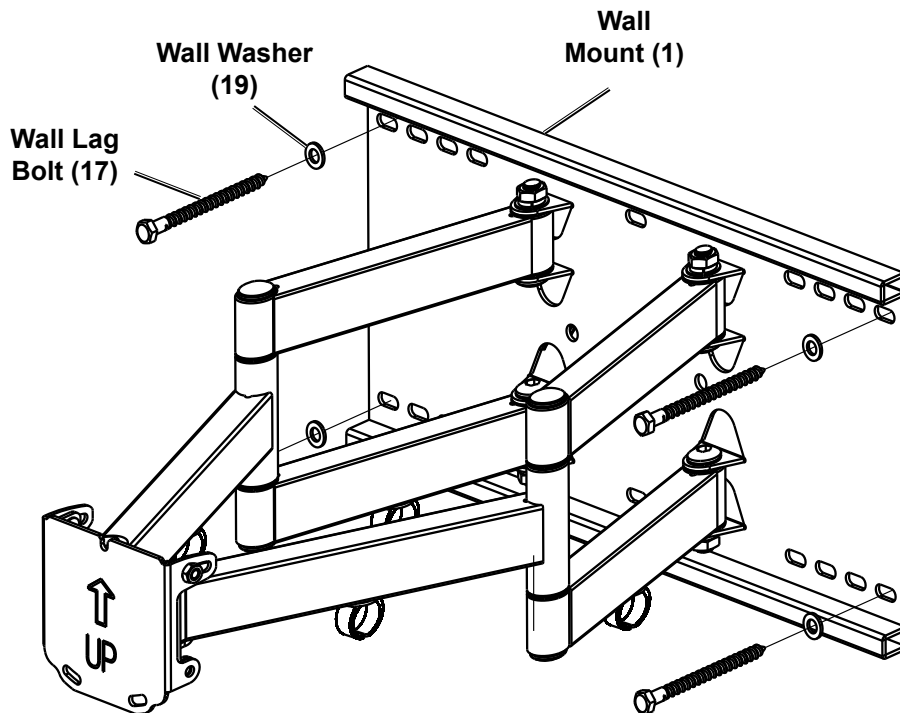
1. Set Wall Mount (1) against wall at desired height. Place a level (sold separately) on top of Wall Mount, adjust until level. Mark locations of mounting holes.
2. Using a 3/8" carbide tip masonry bit, drill four holes 3-1/2" deep at marked locations.
3. Insert Concrete Wall Anchors (18) into holes, making sure they are flush with wall surface.



WARNING! Concrete Wall Anchors must be set firmly into concrete or masonry. If mounting to a masonry wall covered with plaster/drywall, counter bore a hole through plaster/drywall around mounting hole locations.



4. Use four Wall Lag Bolts (17) and Wall Washers (19) to mount Wall Mount to wall. Use a level to adjust the Wall Mount until it is completely level before final tightening of the Lag Bolts.



SAFETY

INSTALLATION

PARTS LIST

Mount TV Plate to TV

SAFETY

WARNING! To reduce risk of electric shock, unplug TV before threading bolts into TV's back panel.

NOTICE: Consult TV owner's manual before attaching this Mount. Harbor Freight Tools is not responsible for damage caused by failure to follow TV mounting instructions, improper installation, or improper/loose hardware.

1. Cover TV screen with a towel or other soft material and tilt it against the wall or another solid surface.
Do not lay TV face down.
2. Consult TV Owner's Manual to determine TV's VESA mounting pattern and hardware requirements.
3. Mounting Hardware:
 - a. Use mounting hardware that came with the TV, or
 - b. If the TV did not come with mounting hardware, select from included TV Bolts, TV Washers and TV Spacers (see Parts List on page 11).

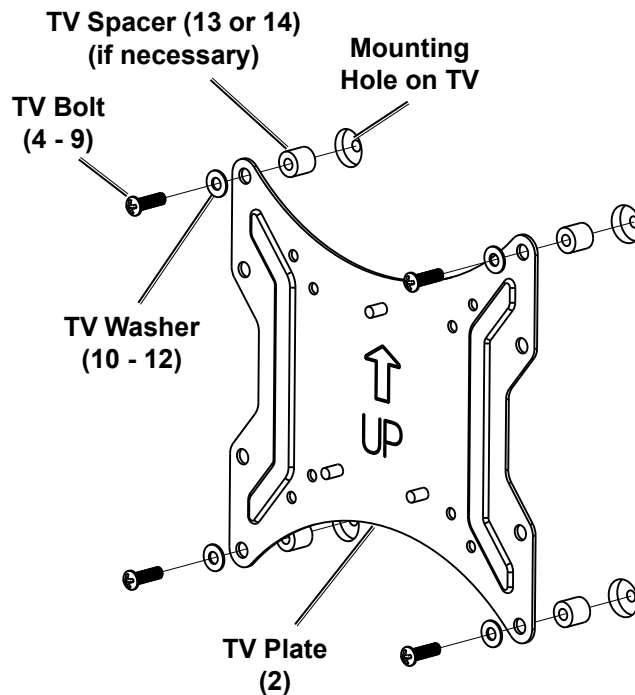
WARNING! To prevent serious injury, do not use hardware that does not match the TV's hardware, that is too long or too short, or overtighten the hardware. Doing so may damage the TV, create a shock hazard by electrifying the hardware/mount, and/or cause the TV to fall.

4. Select Mounting Instructions below according to TV's mounting pattern.

Mounting Instructions for VESA 100x100, 200x100, 200x200

Attach TV Plate (2) to Mounting Holes on TV using appropriate TV Bolts and TV Washers. Use TV Spacers if necessary.

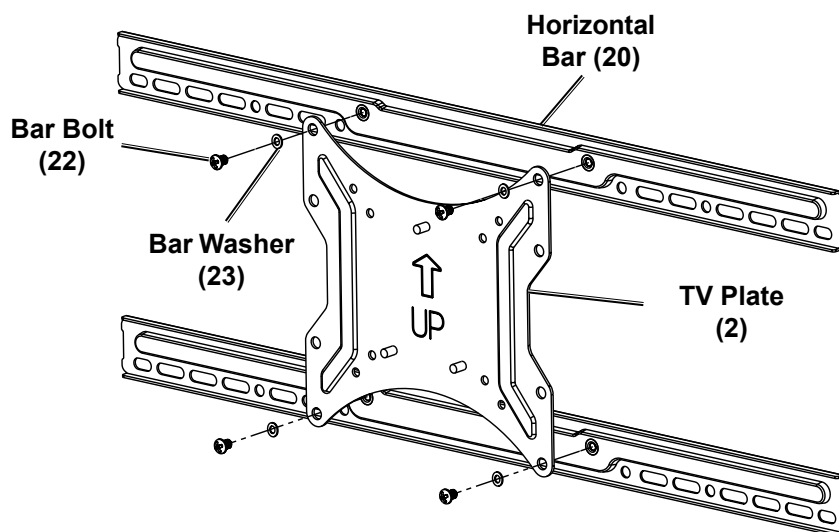
INSTALLATION



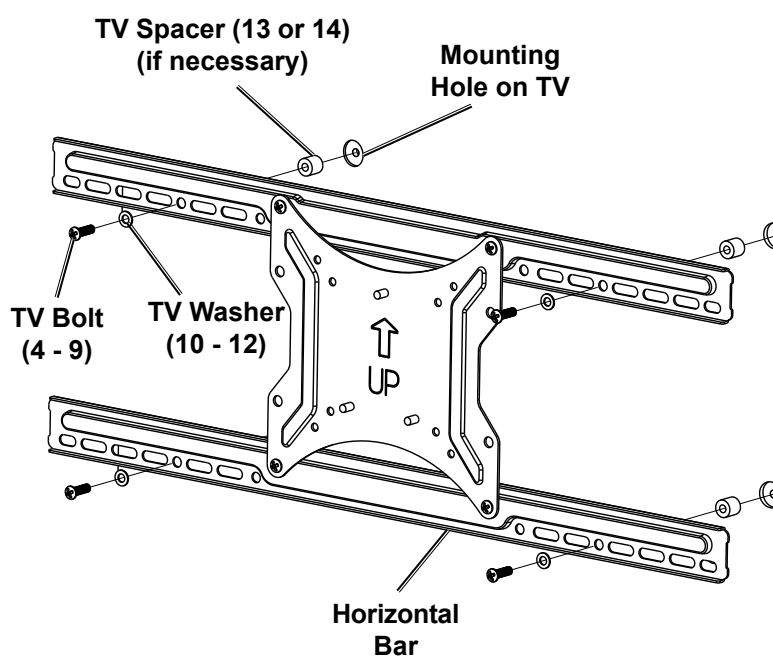
PARTS LIST

Mounting Instructions for VESA 400 x 200

1. Attach TV Plate (2) to Horizontal Bars (20), using Bar Bolts (22) and Bar Washers (23).



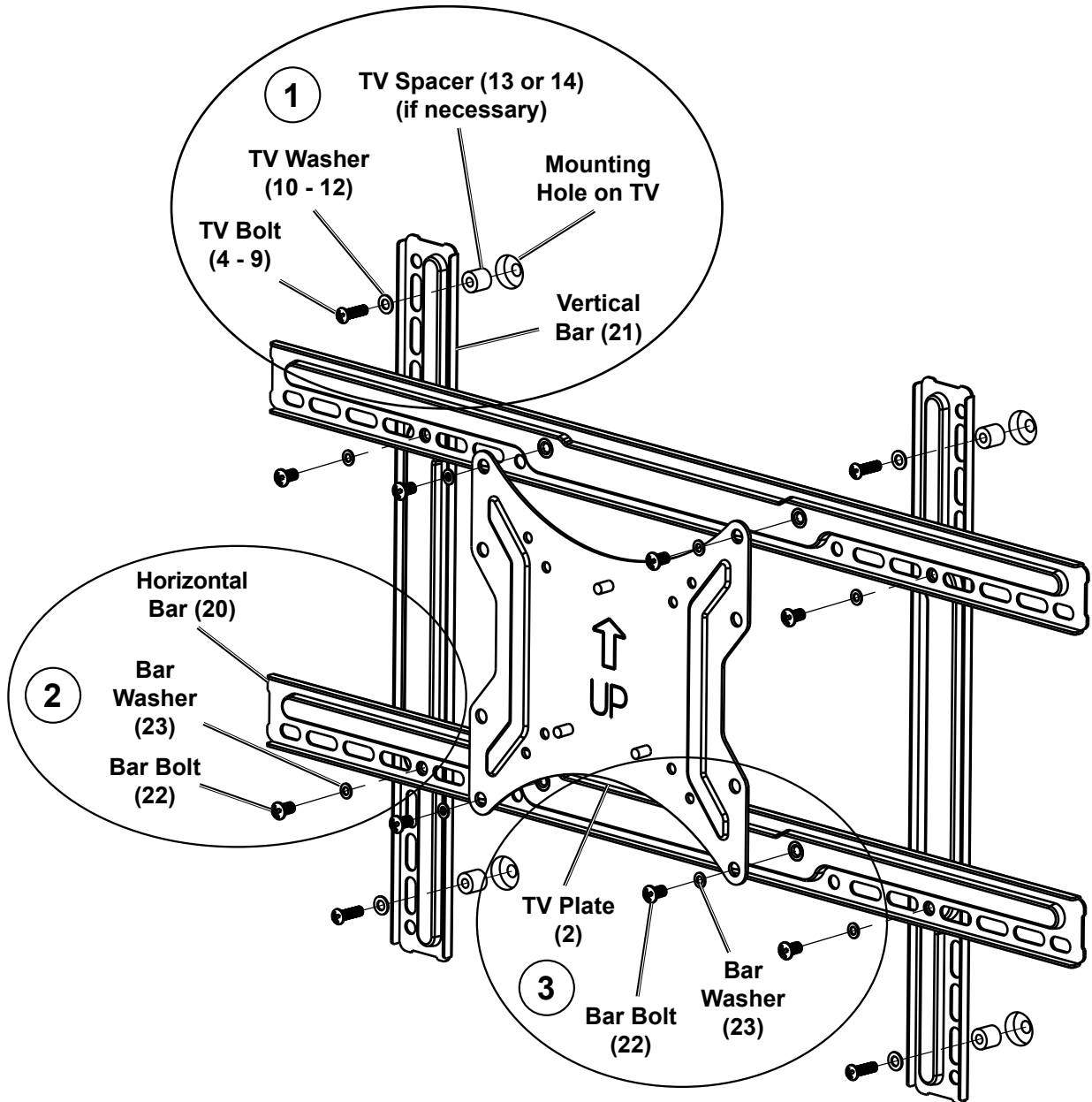
2. Attach Horizontal Bars to Mounting Holes on TV using appropriate TV Bolts and TV Washers. Use TV Spacers if necessary.



Mounting Instructions for VESA 300x300, 400x400, 600x400

SAFETY

1. Attach Vertical Bars (21) to Mounting Holes on TV using appropriate TV Bolts and TV Washers. Use TV Spacers if necessary.
2. Attach Horizontal Bars (20) to Vertical Bars, using Bar Bolts (22) and Bar Washers (23).
3. Attach TV Plate (2) to Horizontal Bars, using Bar Bolts (22) and Bar Washers (23).

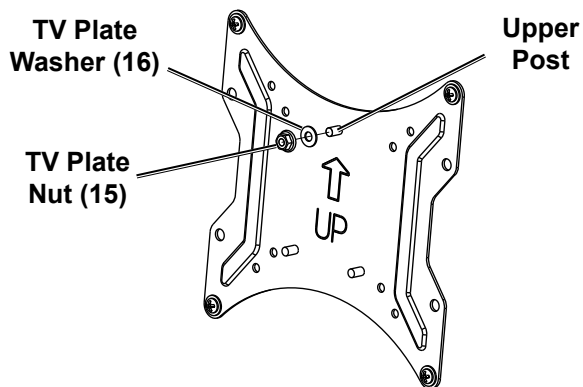


INSTALLATION

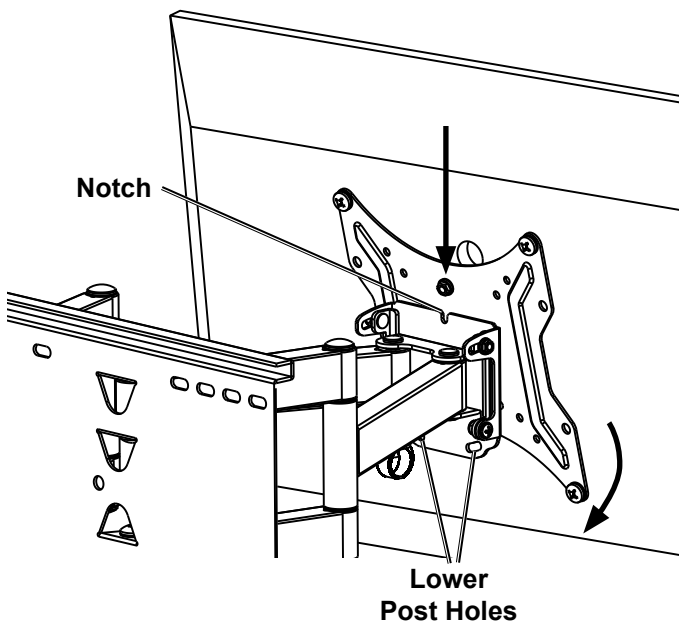
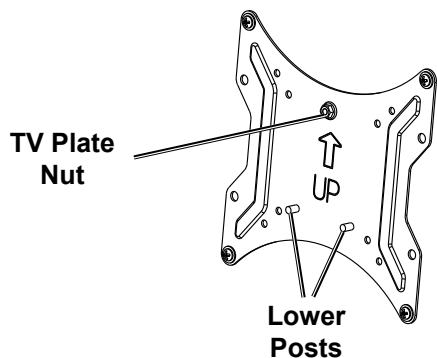
PARTS LIST

Mount TV to Wall Mount

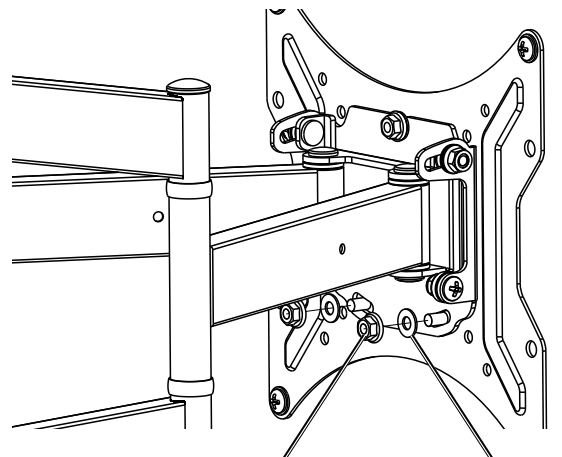
1. Attach TV Plate Washer (16) and Nut (15) to Upper Post using included Wrench. Do not tighten Nut.



2. With assistance, lift TV, slide TV Plate Nut over Notch on TV Mount and route Lower Posts through Lower Post Holes.

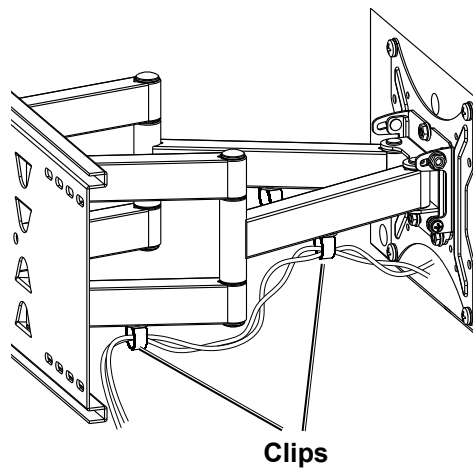


3. Attach TV Plate Washers (16) and Nuts (15) to Lower Posts using included Wrench. Do not tighten Nuts.



TV Plate Bolt (15) TV Plate Washer (16)

5. Route TV wires through clips.



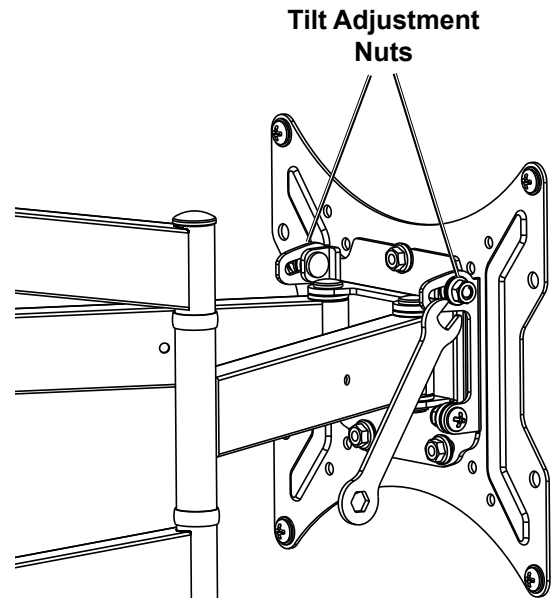
Clips

Adjustment

Adjust Tilt if desired:

- Loosen Tilt Adjustment Nuts on Wall Mount (behind TV Plate) with included Wrench.
- Adjust tilt.
- Tighten Tilt Adjustment Nuts.

Note: Gently move the TV when changing its position. Do not force it or press on the screen directly.



PLEASE READ THE FOLLOWING CAREFULLY

THE MANUFACTURER AND/OR DISTRIBUTOR HAS PROVIDED THE PARTS LIST IN THIS MANUAL AS A REFERENCE TOOL ONLY. NEITHER THE MANUFACTURER OR DISTRIBUTOR MAKES ANY REPRESENTATION OR WARRANTY OF ANY KIND TO THE BUYER THAT HE OR SHE IS QUALIFIED TO MAKE ANY REPAIRS TO THE PRODUCT, OR THAT HE OR SHE IS QUALIFIED TO REPLACE ANY PARTS OF THE PRODUCT. IN FACT, THE MANUFACTURER AND/OR DISTRIBUTOR EXPRESSLY STATES THAT ALL REPAIRS AND PARTS REPLACEMENTS SHOULD BE UNDERTAKEN BY CERTIFIED AND LICENSED TECHNICIANS, AND NOT BY THE BUYER. THE BUYER ASSUMES ALL RISK AND LIABILITY ARISING OUT OF HIS OR HER REPAIRS TO THE ORIGINAL PRODUCT OR REPLACEMENT PARTS THERETO, OR ARISING OUT OF HIS OR HER INSTALLATION OF REPLACEMENT PARTS THERETO.

Record Product's Serial Number Here: _____

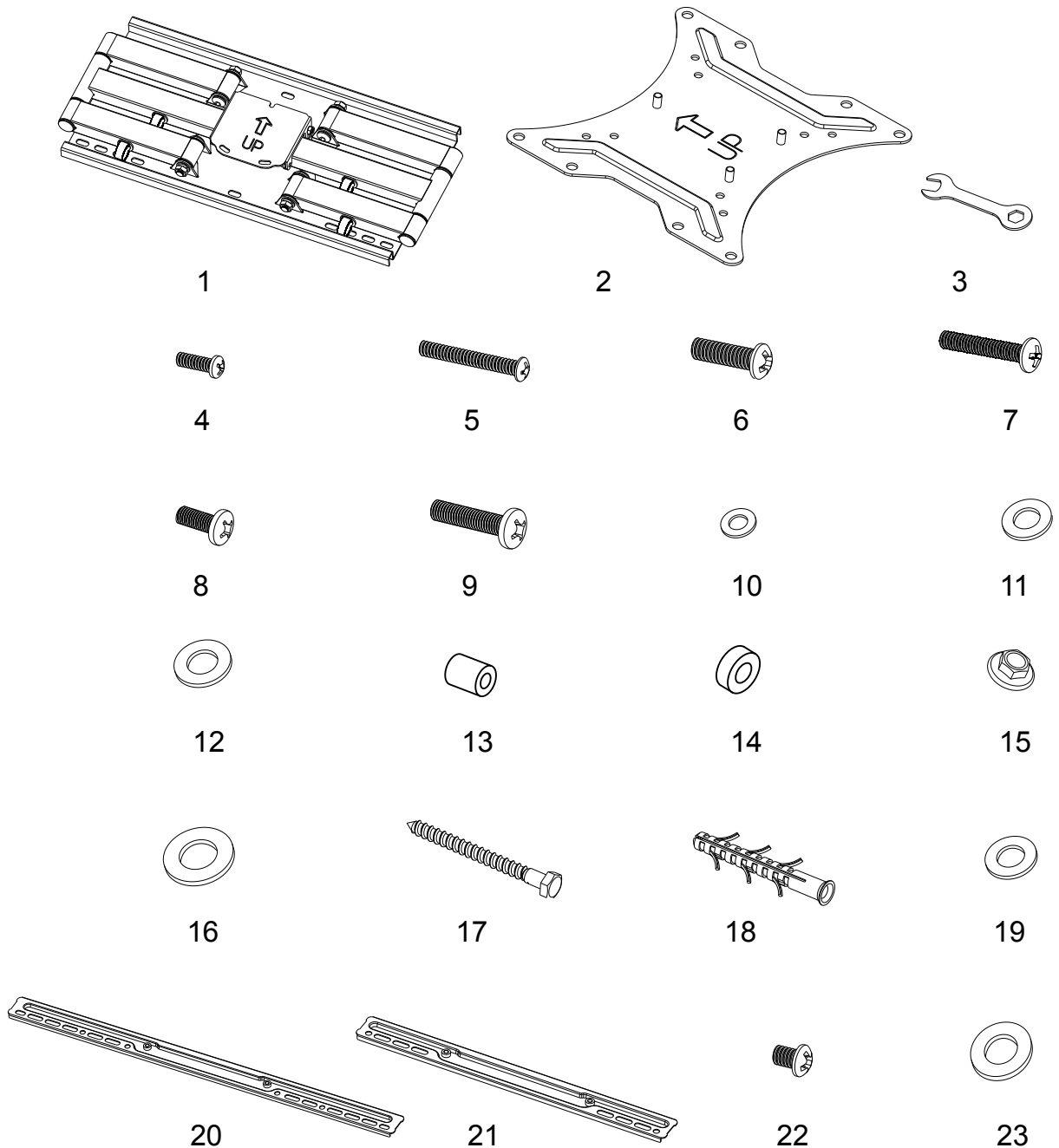
Note: If product has no serial number, record month and year of purchase instead.

Note: Some parts are listed and shown for illustration purposes only, and are not available individually as replacement parts.

Parts List

Part	Description	Qty
1	Wall Mount	1
2	TV Plate	1
3	Wrench M6	1
4	TV Bolt M4x12	4
5	TV Bolt M4x30	4
6	TV Bolt M6x20	4
7	TV Bolt M6x35	4
8	TV Bolt M8x20	4
9	TV Bolt M8x35	4
10	TV Washer M4	4
11	TV Washer M6	4
12	TV Washer M8	4

Part	Description	Qty
13	TV Spacer M4	4
14	TV Spacer M6/M8	8
15	TV Plate Nut M6	3
16	TV Plate Washer M6	3
17	Wall Lag Bolt M8x90	6
18	Concrete Wall Anchor M10x80	6
19	Wall Washer	6
20	Horizontal Bar	2
21	Vertical Bar	2
22	Bar Bolt M6x8	8
23	Bar Washer M6	8



SAFETY

INSTALLATION

PARTS LIST

Limited 90 Day Warranty

Harbor Freight Tools Co. makes every effort to assure that its products meet high quality and durability standards, and warrants to the original purchaser that this product is free from defects in materials and workmanship for the period of 90 days from the date of purchase. This warranty does not apply to damage due directly or indirectly, to misuse, abuse, negligence or accidents, repairs or alterations outside our facilities, criminal activity, improper installation, normal wear and tear, or to lack of maintenance. We shall in no event be liable for death, injuries to persons or property, or for incidental, contingent, special or consequential damages arising from the use of our product. Some states do not allow the exclusion or limitation of incidental or consequential damages, so the above limitation of exclusion may not apply to you. THIS WARRANTY IS EXPRESSLY IN LIEU OF ALL OTHER WARRANTIES, EXPRESS OR IMPLIED, INCLUDING THE WARRANTIES OF MERCHANTABILITY AND FITNESS.

To take advantage of this warranty, the product or part must be returned to us with transportation charges prepaid. Proof of purchase date and an explanation of the complaint must accompany the merchandise. If our inspection verifies the defect, we will either repair or replace the product at our election or we may elect to refund the purchase price if we cannot readily and quickly provide you with a replacement. We will return repaired products at our expense, but if we determine there is no defect, or that the defect resulted from causes not within the scope of our warranty, then you must bear the cost of returning the product.

This warranty gives you specific legal rights and you may also have other rights which vary from state to state.

ARMSTRONG™

3491 Mission Oaks Blvd. • PO Box 6009 • Camarillo, CA 93011 • 1-888-866-5797