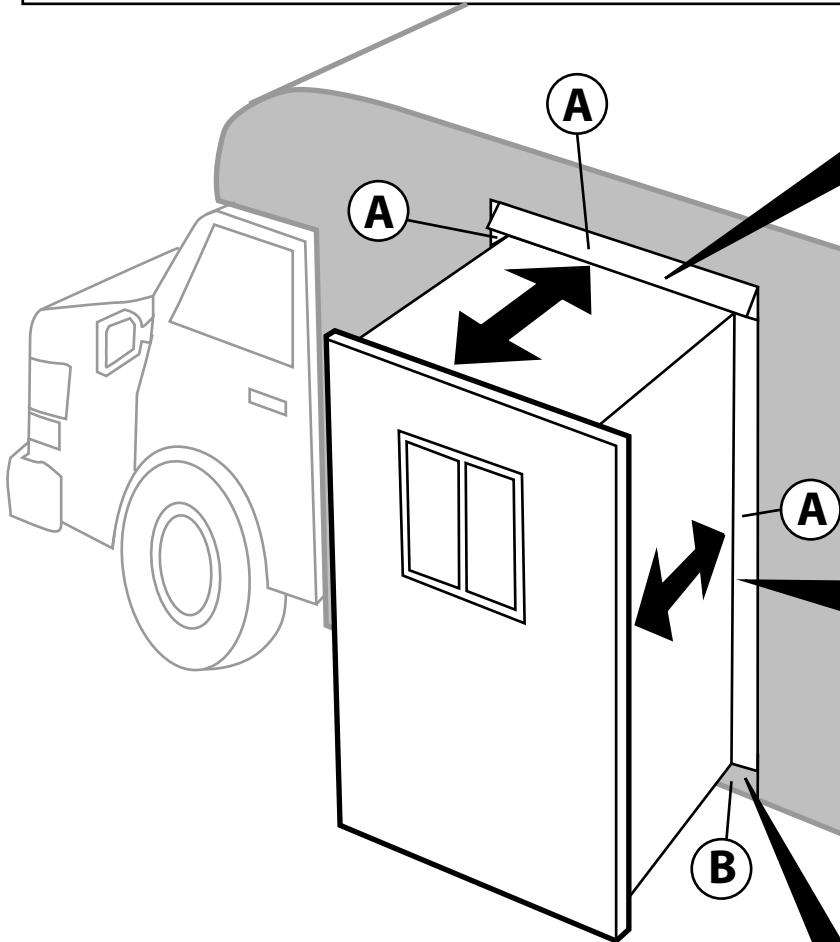
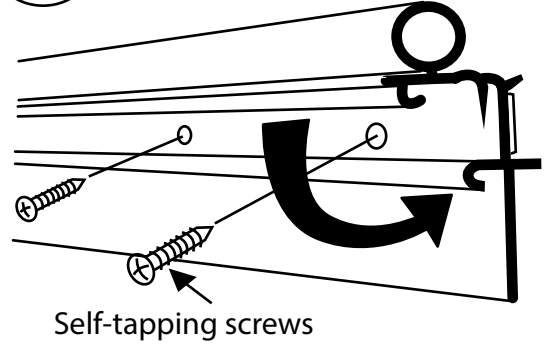


SNAP-IN SEAL SYSTEM

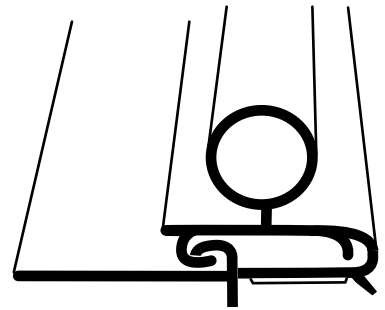
INSTALLATION INSTRUCTIONS FOR RV SLIDE OUT



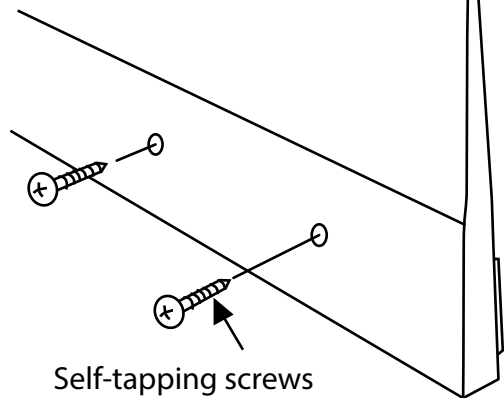
A Single Flap with Living Hinge Bulb



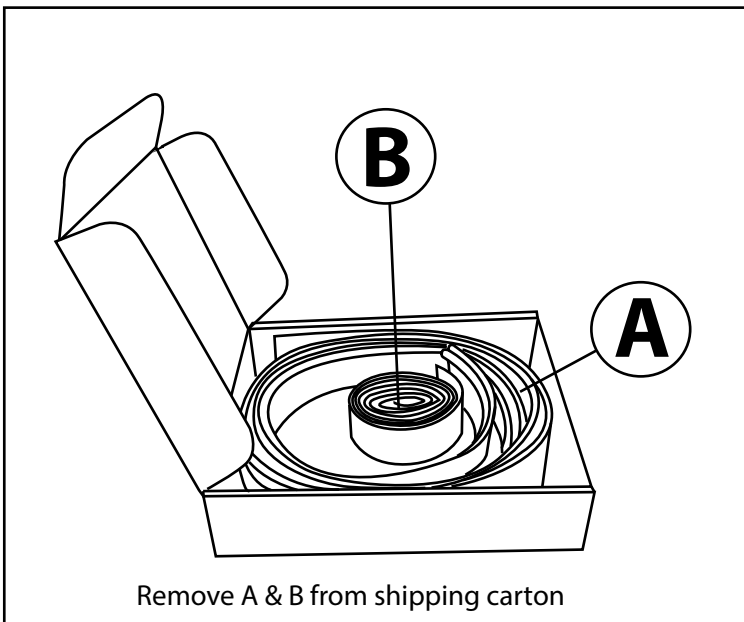
Self-tapping screws



B Bottom Flap



Self-tapping screws



Remove A & B from shipping carton

STEP 1

IMPORTANT - READ BEFORE INSTALLATION

Remove existing seal and any excess debris. It is important to clean thoroughly to remove dust and moisture, creating a dry surface for the new seal to be applied to. Trim-Lok recommends a cleaning solution of one part isopropyl alcohol and one part water, and a clean rag.

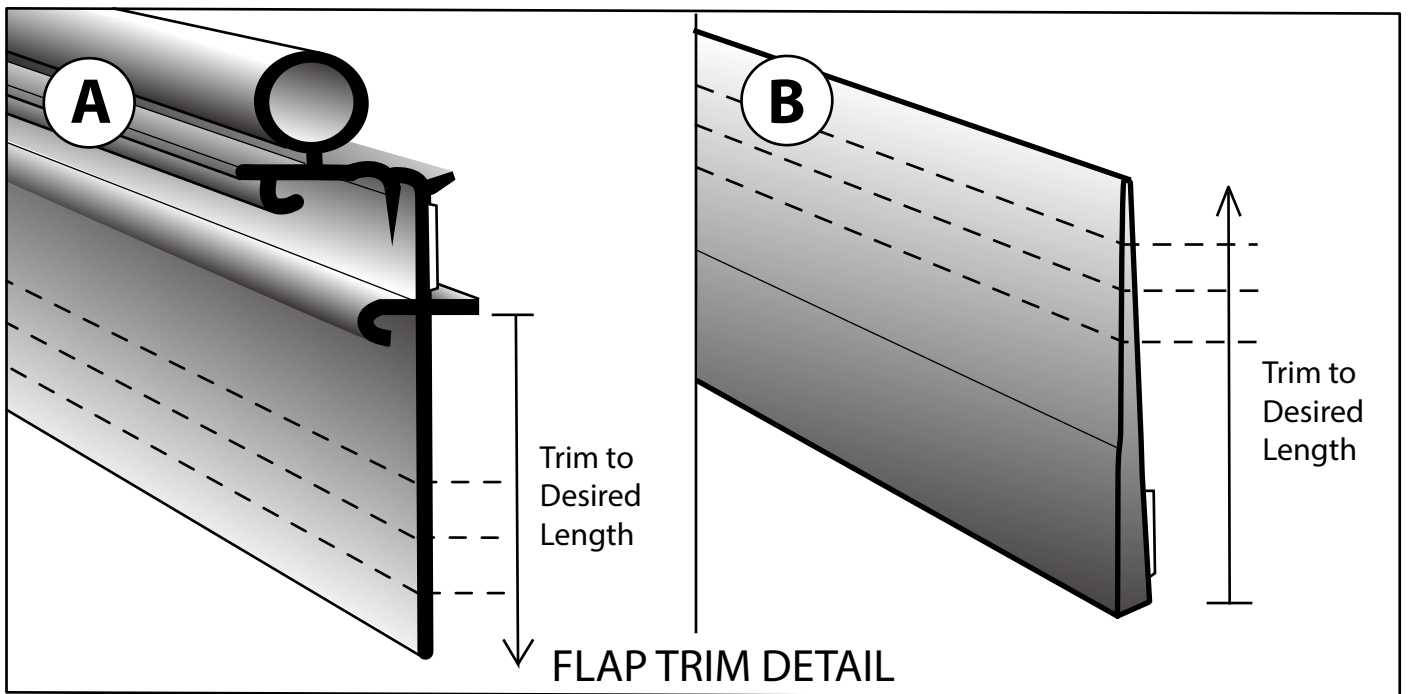
Ensure each flap on (A) and (B) is at the desired length and, if needed, trim before application. The flap may be trimmed with scissors to accommodate the appropriate wiper flap action, as shown in flap detail below.

STEP 2

(A) is typically installed across the top and sides of the slide-out room. Measure and cut to the desired length. To install peel back the 3M™ Pressure Sensitive Adhesive liner and apply in desired locations. Self-tapping screws have been supplied as an additional installation aide and may be used at 6" intervals. Push down to snap the seal into place.

STEP 3

(B) is typically installed across the bottom of the slide-out room. Measure and cut to the desired length. To install peel back the 3M™ Pressure Sensitive Adhesive liner and apply in desired locations. Self-tapping screws have been supplied as an additional installation aide and may be used at 6" intervals.



TRIM-LOK® INC.

www.trimlok.com

Questions? Call 888-TRIM-LOK