

OL50C product information sheet

Product Specifications

Fits most: 13" - 32" flat panels

Supports up to: 50 lbs (22.7 kg)

Tilts: -5° to +15°

Mounting Profile: 2.2" (56 mm)

Maximum extension: 7.3" (185 mm)

VESA Compliance: 75x75 to 100x200

Mounting: Single-stud

Warranty: 5 years

Color: Black



Product Benefits

- Eco-friendly design and packaging
- Tilt, pan and swivel for maximum viewing flexibility
- Lift n' Lock™ allows you to easily attach your flat panel to the mount
- Hidden compartment for Allen wrench
- Cable management channel guides wires
- Locking system secures panel to mount
- Simple to install and use
- Installation template for simple and accurate mounting
- Includes complete hardware kit



Exclusively by OmniMount, the eco-friendly OmniLite packaging is designed with installation instructions and a mounting template printed on the inside of the box, giving you everything needed to mount your flat panel with confidence – but without waste.

Series



OL50FT



OL125FT



OL200FT



OL50C



OL125C



OmniMount, an innovator of A/V mounts and furniture for more than a quarter century, is the choice of professional installers and the brand most recommended by flat panel manufacturers. In our ongoing effort to conserve nature's resources and reduce waste, OmniMount is proud to introduce the eco-friendly OmniLite Series™. Wherever possible, we've minimized component parts and used recycled materials in an effort to offer efficient mounting solutions, without sacrificing quality. The OL50C is ideal for eco-conscious consumers looking for an easy-to-use small cantilever flat panel mount.



OL50C technical data sheet



OmniMount, an innovator of A/V mounts and furniture for more than a quarter century, is the choice of professional installers and the brand most recommended by flat panel manufacturers. In our ongoing effort to conserve nature's resources and reduce waste, OmniMount is proud to introduce the eco-friendly OmniLite Series.™ Wherever possible, we've minimized component parts and used recycled materials in an effort to offer efficient mounting solutions, without sacrificing quality. The OL50C is ideal for eco-conscious consumers looking for an easy-to-use small cantilever flat panel mount.



Product Specifications

Fits most: 13" - 32" flat panels

Supports up to: 50 lbs (22.7 kg)

Tilts: -5° to +15°

Mounting Profile: 2.2" (56 mm)

Maximum extension: 7.3" (185 mm)

VESA Compliance: 75x75 to 100x200

Mounting: Single-stud

Warranty: 5 years

Color: Black

Product Benefits

- Eco-friendly design and packaging
- Tilt, pan and swivel for maximum viewing flexibility
- Lift n' Lock™ allows you to easily attach your flat panel to the mount
- Hidden compartment for Allen wrench
- Cable management channel guides wires
- Locking system secures panel to mount
- Simple to install and use
- Installation template for simple and accurate mounting
- Includes complete hardware kit

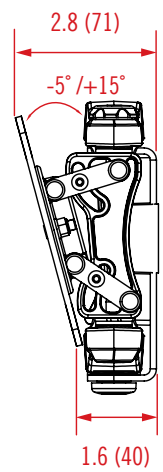
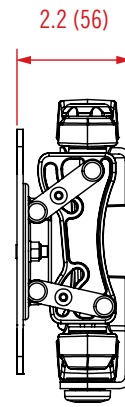
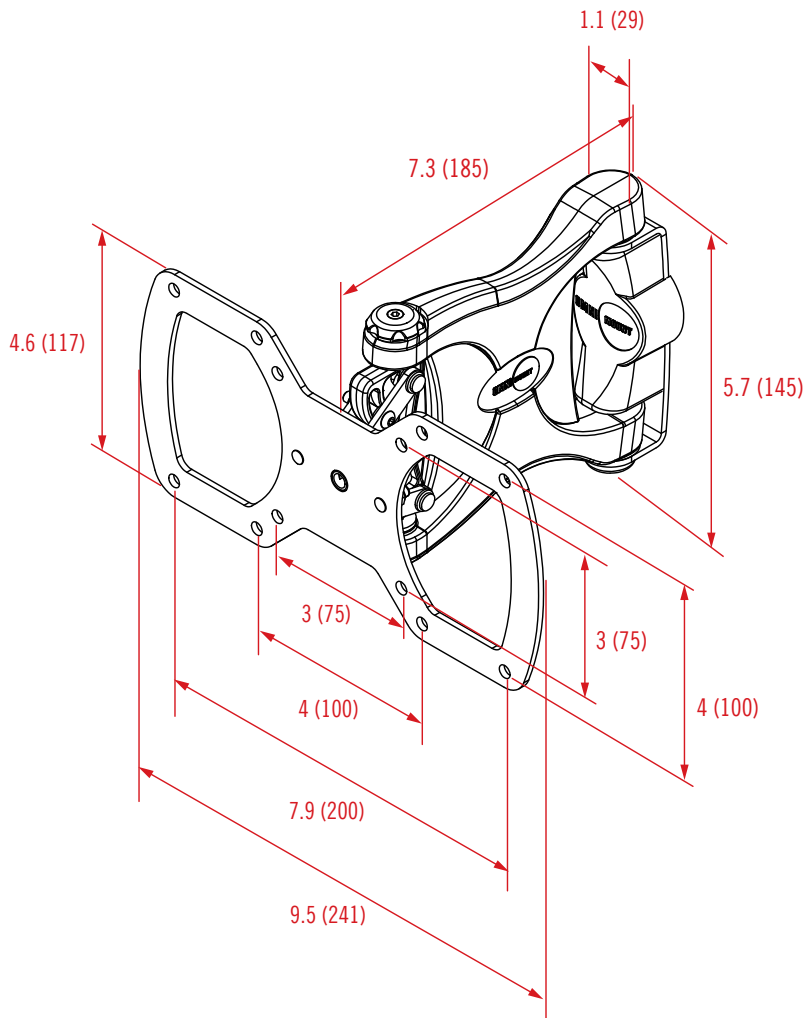
	Stock Code	Packaging UPC	MC UPC
Americas	1004522-1	728901023637	728901717086
International	1004522INT-1	728901023637	728901717086

	Dimensions WxDxH Inches (mm)	Wt lbs (kg)
Product Box	TBD	TBD
Master Carton	TBD	TBD

Box Contents	Qty
Wall plate	1
Wall plate cover	1
Arm	1
VESA adapter	1

Box Contents	Qty
Complete mount installation hardware kit	1
Complete panel attachment hardware kit	1
Instruction manual	1
Flat panel compatibility chart	1

OL50C line drawings



inches (mm)