

OL125C product information sheet

Product Specifications

Fits most: 23" - 52" flat panels

Supports up to: 125 lbs (56.7 kg)

Tilts: -5° to +15°

Mounting Profile: 4.09" (104mm)*

Maximum extension: 14.33" (364mm)*

VESA Compliant: 100x100 to 400x400

Mounting: Single-stud

UL Listed: Yes

Warranty: 5 years

Color: Black

*Adapter adds 0.35" (9mm)

Product Benefits

- Eco-friendly design and packaging
- Tilt, pan and swivel for maximum viewing flexibility
- Lift n' Lock™ for quick installation
- Hidden compartment for Allen wrench
- Cable management channel guides wires
- Includes adapters for greater VESA compatibility
- Locking system secures panel to mount
- Installation template for simple and accurate mounting
- Includes complete Grade 5 hardware kit



UL US LISTED



Exclusively by OmniMount, the eco-friendly OmniLite packaging is designed with installation instructions and a mounting template printed on the inside of the box, giving you everything needed to mount your flat panel with confidence – but without waste.

Series



OL50FT



OL125FT



OL200FT



OL50C



OL125C



Dedicated to being a one-stop shop for professional products, OmniMount remains on the cutting edge of product innovation. That's why we're the natural choice for any professional, industrial, or commercial application. In our ongoing effort to conserve nature's resources and reduce waste, OmniMount is proud to introduce the eco-friendly OmniLite Series™. Wherever possible, we've minimized component parts and used recycled materials in an effort to offer efficient mounting solutions, without sacrificing quality. The OL125C is ideal for eco-conscious consumers looking for an easy-to-use medium cantilever flat panel mount.



OL125C technical data sheet



Dedicated to being a one-stop shop for professional products, OmniMount remains on the cutting edge of product innovation. That's why we're the natural choice for any professional, industrial, or commercial application. In our ongoing effort to conserve nature's resources and reduce waste, OmniMount is proud to introduce the eco-friendly OmniLite Series™. Wherever possible, we've minimized component parts and used recycled materials in an effort to offer efficient mounting solutions, without sacrificing quality. The OL125C is ideal for eco-conscious consumers looking for an easy-to-use medium cantilever flat panel mount.



Product Specifications

Fits most: 23" - 52" flat panels

Supports up to: 125 lbs (56.7 kg)

Tilts: -5° to +15°

Mounting Profile: 4.09" (104mm)*

Maximum extension: 14.33" (364mm)*

VESA Compliant: 100x100 to 400x400

Mounting: Single-stud

UL Listed: Yes

Warranty: 5 years

Color: Black

*Adapter adds 0.35" (9mm)

Product Benefits

- Eco-friendly design and packaging
- Tilt, pan and swivel for maximum viewing flexibility
- Lift n' Lock™ for quick installation
- Hidden compartment for Allen wrench
- Cable management channel guides wires
- Includes adapters for greater VESA compatibility
- Locking system secures panel to mount
- Installation template for simple and accurate mounting
- Includes complete Grade 5 hardware kit

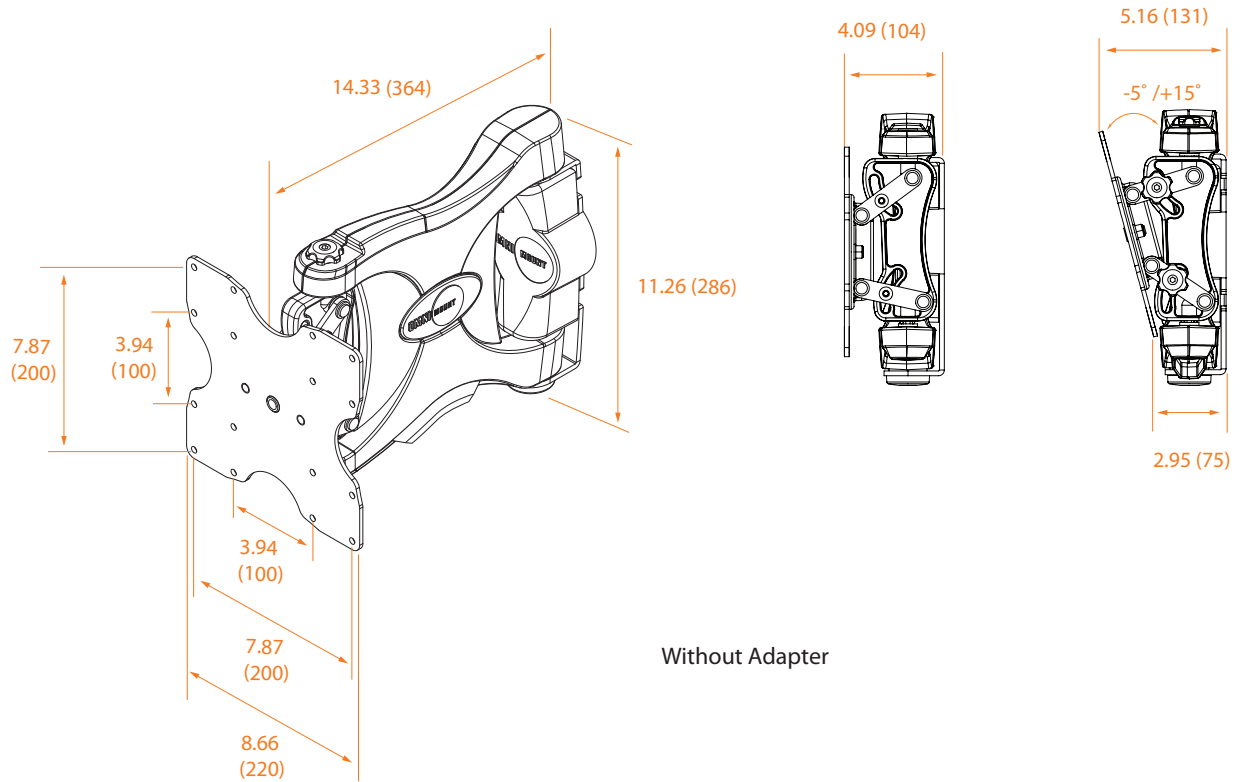
	Stock Code	PRO UPC	MC UPC
Americas	1004523-1	728901023644	728901717093
International	1004523INT-1	728901023644	728901717093

	Dimensions WxDxH Inches (mm)	Wt lbs (kg)
Product Box	13 x 18.9 x 4.3 (330x480x110)	13.7 (6.2)
Master Carton	13.8 x 19.7 x 9.8 (350x500x250)	28 (12.7)

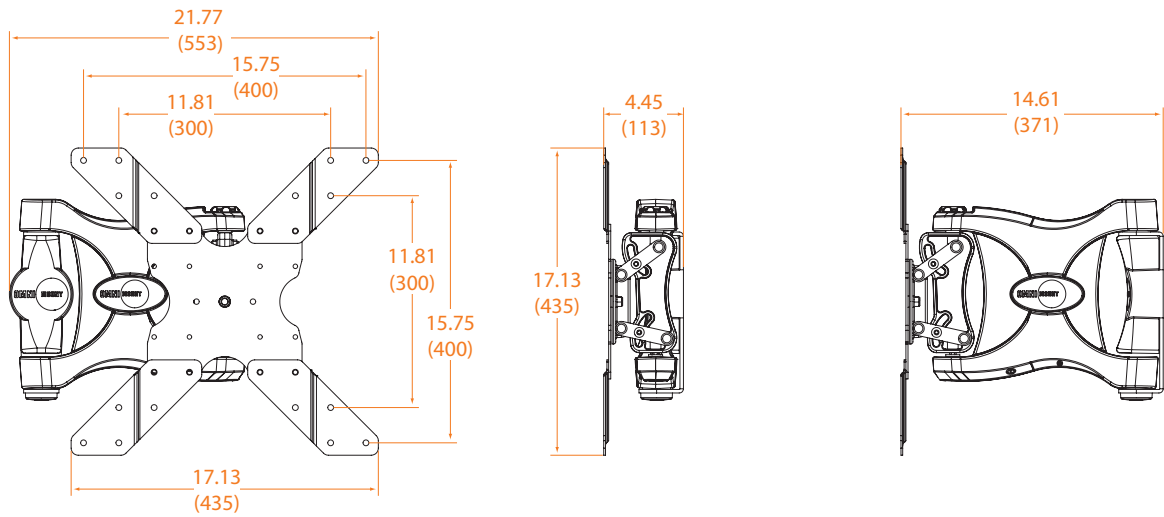
Box Contents	Qty
Wall plate	1
Wall plate cover	1
Arm	1
VESA adapter	1

Box Contents	Qty
Complete mount installation hardware kit	1
Complete panel attachment hardware kit	1
Instruction manual	1
Flat panel compatibility chart	1

OL125C line drawings



Without Adapter



With Adapter



inches (mm)