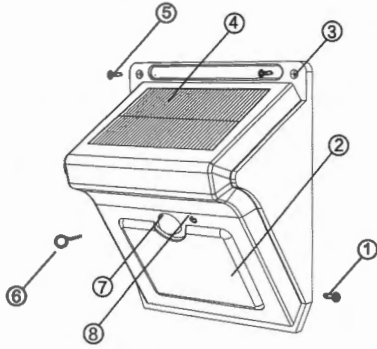


User Manual

English Version

I. Construction



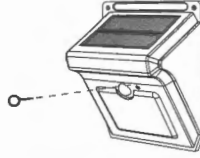
- | | |
|--------------------------|-----------------------|
| ① Expansion pillar-hinge | ⑤ Screw |
| ② Lampshade | ⑥ Key pin |
| ③ Hole | ⑦ PIR motion inductor |
| ④ Solar panel | ⑧ On/Off switch hole |

----- . 1 . -----

1. Charge at least 5 hours before the first use:

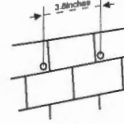
Please take off the transparent protective film first, then charge the solar light by placing it under the direct sunlight for about 5hrs.

2. Unlock and activate the solar light:

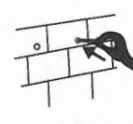


The "on/off" hole was designed as an invisible switch for waterproof reason, so users have to use the supplied key pin to insert into the "on/off" switch hole which is next to the PIR motion inductor. When hearing the sound of "click", the lighting system is unlocked.

3. Install the device with the screw:



Step1. Use a machine to drill two holes (Distance between the holes: 3.8inches) in the wall (Optimum Height: 6.5-13ft)



Step2. Insert the supplied expansion pillar-hinge into the hole.



Step3. Mount the device on the wall with the supplied screw.

----- . 2 . -----

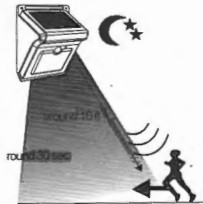
4. Charge via solar panel:



Please make sure that the solar light is installed in a place where it can receive good direct sunlight everyday(charge around 8 hrs in daytime) without any shelter.

5. Light up automatically:

At night and dark places, this security night light will turn on automatically when people come close under the motion sensor. NO dim mode, designed for home security and long service life.



----- . 3 . -----

① Unlock the product, charge the light by direct sunlight around 8 hrs.

② Cover the solar panel with your hand. If the light is on, the product is working.

IV. Product Parameters

- | | |
|--|--------------------------------|
| ① Solar panel: 0.55W | ② Li-ion battery: 3.7V 1200mAh |
| ③ LED power: 0.2W, 6000K-6500K, 28PCS, 24-26lm/PCS | |
| ④ Motion angle and distance: 120 degrees, 10ft | |
| ⑤ Weight: 6.77 ounces | |
| ⑥ Size: 5.1*4.3*2.7 inches | |
| ⑦ Working mode: Automatically turn off after lighting on around 30 seconds | |

Package List

Solar motion sensor light.....	x1pcs
Key pin	x1pcs
Expansion pillar-hinge.....	x2pcs
Screw	x2pcs

Special Note:

If there is no good sunlight or in winter sunlight, especially countries in the north, it may take longer time to fully charge the device and this is very normal for solar products.

----- . 4 . -----