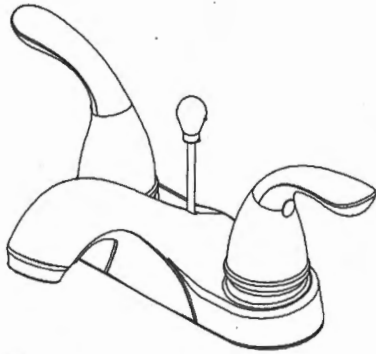
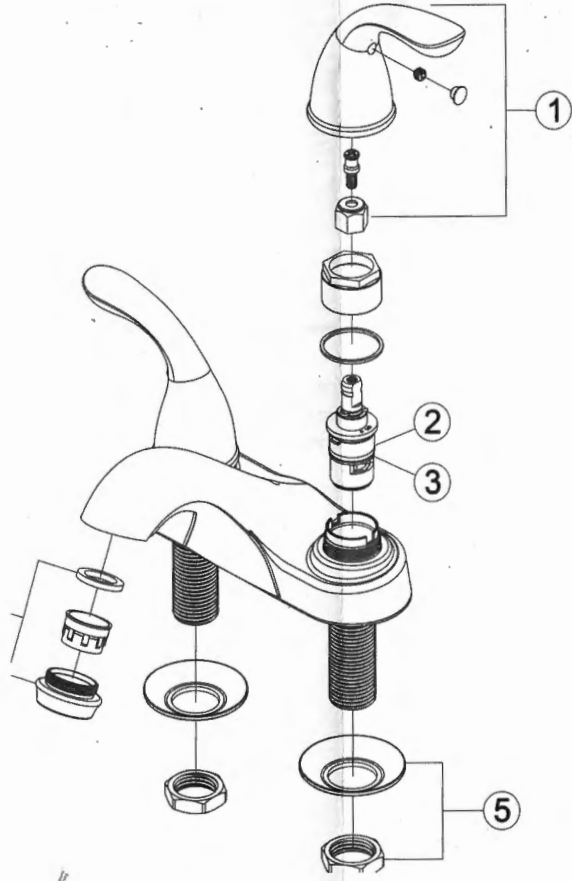


Two Handle Bathroom Sink Faucet

Note: Style may vary by model.

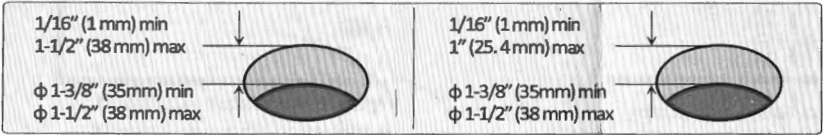


Note: Style may vary by model.



Before Installation

- A. Make sure you have all necessary parts by checking the diagram and parts list.
- B. Turn off the hot and cold water supply at the angle stops and turn on the old faucet to release any built up pressure. Remove existing faucet. Clean sink or countertop in preparation for new faucet.
- C. Shut off angle stops.
- D. Pre-drilled hole size requirement: 1-3/8" (min) - 1-1/2" (max)
 Max countertop thickness without deck plate: 1-1/2" (1 hole install)
 Max countertop thickness with deck plate: 1" (1, 2 or 3 hole install)



Tools you will need:



Adjustable Wrench



Safety Goggles



Bucket

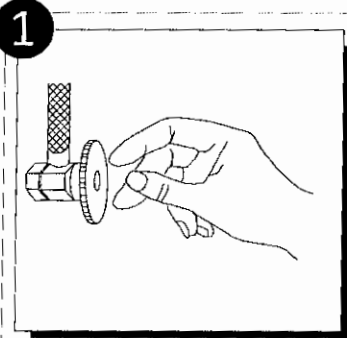


Silicone Sealant

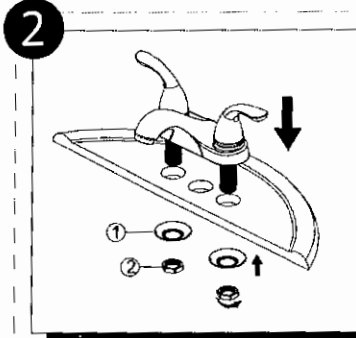
Index No.	Description	Finish	Basic Material	Part Qty	Part Unit
1	Multi-Handle Handle Assembly, Nickel	Nickel	Metal	1	Kit
2	Cartridge Assembly, Cold	N/A	Brass/Ceramic	1	Each
3	Cartridge Assembly, Hot	N/A	Brass/Ceramic	1	Each
4	Aerator Assembly, 1.5 GPM, Nickel	Nickel	Metal	1	Each
5	Installation Hardware Assembly	N/A	Brass/Steel	2	Kit

Two Handle Bathroom Sink Faucet

Note: Style may vary by model.

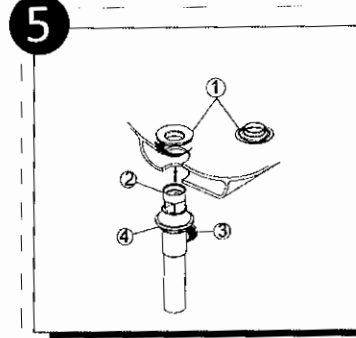


Shut off water supply at angle stop. Remove old faucet. Clean sink surface in preparation for new faucet.

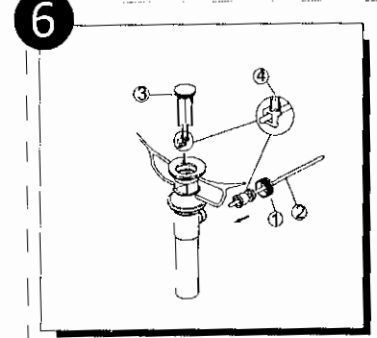


Place new faucet in position on sink. From under sink, secure faucet to sink using washers (1) and mounting nuts (2). Tighten mounting nuts.

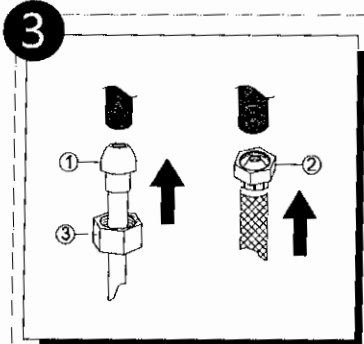
Note: Style may vary by model.



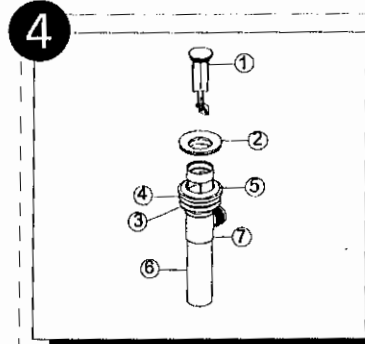
Apply a small bead of Plumber's putty to underside of flange (1). Insert body (2) into sink. Screw flange (1) into body (2). Pivot (3) must face faucet. Pull assembly down firmly and hold in place. DO NOT TWIST. Tighten nut, washer & gasket (4), clean off excess Plumber's putty.



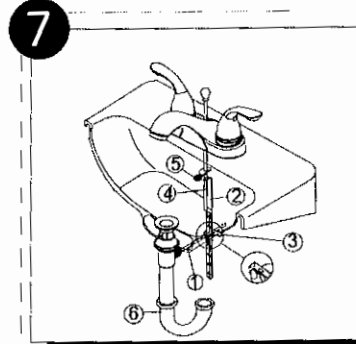
Remove pivot nut (1). Install horizontal rod (2) and stopper (3) as non-removable (4). Hand tighten pivot nut (1).



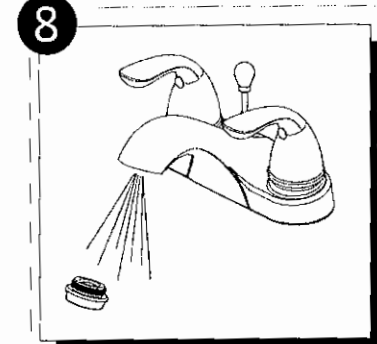
Make Connections to water lines:
Choose hook-ups for 1/2" I.P.S. connections:
(1) Ball nose riser (3/8" O.D. copper tubing),
or (2) 1/2" I.P.S. faucet connector. Use the
enclosed coupling nuts (3) with the ball nose
risers (1). Use two wrenches when tightening.
Do not overtighten.



*If the stopper are not include, Please skip to
step 8
Remove stopper (1) and flange (2). Screw
nut (3) all the way down. Push washer (4)
and gasket (5) down. Remove tailpiece (6)
from body (7), add Teflon tape, replace
tailpiece.



Attach horizontal rod (1) to strap (2) using
clip (3). Insert lift rod (4) into strap and
tighten screw (5). Connect assembly to drain
(6).



Important: After installation is completed,
remove aerator. Turn on water supply and
allow both hot and cold water to run for at
least one minute each. While water is
running, check for leaks. Replace aerator