



**Atwood Mobile Products LLC**  
 1120 North Main Street • Elkhart, IN 46514  
**PHONE:** 574•264•2131 **FAX:** 574•262•2550  
**INTERNET:** http://www.askforatwood.com



**LITERATURE NUMBER 52229**

# LP GAS RANGE & SLIDE-IN COOKTOPS

**RA, CA, RV, CV(35) Models**

PROTECTED BY U.S. PATENTS D397,909 AND 5,931,151  
 OTHER PATENTS PENDING

**ENGLISH, FRANCAIS (et Canada)**

**•Installation •Operation •Maintenance**

### SAFETY ALERT SYMBOLS

Safety Symbols alerting you to potential personal safety hazards.  
 Obey all safety messages following these symbols.

**⚠ WARNING**  
 avoid possible  
 injury or death

**⚠ CAUTION**  
 avoid possible  
 injury and/or property damage

### FOR YOUR SAFETY

#### READ ALL INSTRUCTIONS BEFORE OPERATING APPLIANCE

**Installer:** Provide these instructions to the consumer.  
**Consumer:** Keep documents for future reference.

**⚠ WARNING**  
**FIRE OR EXPLOSION**

### FOR YOUR SAFETY WHAT TO DO IF YOU SMELL GAS

- Open windows.
- DO NOT touch any electrical switch, or use any phone or radio in vehicle.
- Extinguish any open flame.
- Evacuate ALL persons from vehicle.
- Shut off gas supply at gas container or source.
- DO NOT start vehicle's engine or electric generator.
- Contact nearest gas supplier or qualified Service Technician for repairs.
- If you cannot reach a gas supplier or qualified Service Technician, contact the nearest fire department.
- DO NOT turn on gas supply until gas leak(s) has been repaired.

### FOR YOUR SAFETY

- DO NOT store or use gasoline or other flammable vapors and liquids in the vicinity of this or any other appliance.

**⚠ WARNING**

- Improper installation, adjustment, service or maintenance can cause injury, property damage or death. Refer to this manual. For assistance or additional information, consult a qualified installer, service agency, manufacturer or the gas supplier.

**⚠ WARNING**  
**EXPLOSION OR FIRE**

- Shut off all gas appliances and pilot lights when refueling gasoline tanks, LP tanks or when vehicle is in motion.
- Atwood & Wedgewood gas operated cooking appliances are for use with LP gas only, and for installation in recreation vehicles only (e.g. travel trailers, motor homes, tent campers, etc.).

**⚠ WARNING**  
**CARBON MONOXIDE POISONING**

- DO NOT use cooking appliance for space heating. It is a potential danger to occupants of vehicle and damage to operating components of the range/cooktop.
- A window or air vent should be open slightly while using any cooking appliance. Gas flames consume oxygen which must be replaced to assure proper combustion.

Effective 1/12/12

### NOTE TO CONSUMER:

Have the installer or dealer show you where the main gas shut off valve is located so that you will know how and where to turn off the gas supply when necessary.

### Table of Contents

Safety Information .....	1
Installation .....	1-2
Operation .....	2-3
Maintenance .....	3-4
Storage .....	4
Covers .....	4
Illustration Figures .....	5
Warranty .....	5
Parts Identification .....	7-8
Accessories / Extended Warranty .....	15
Cabinet & Counter/Recessed Bi-Fold - Cut Out Charts .....	6
Wiring Diagram .....	6

## INSTALLATION

Installation must conform with local codes or in the absence of local codes, with the American National Standard for Recreational Vehicles, ANSI/A119.2 and Article 551, ANSI/NFPA 70. In Canada, installation must conform with CSA Z240.4.2-M.

**⚠ WARNING**

### FIRE, EXPLOSION, BURN INJURY CARBON MONOXIDE POISONING

- The cooking appliance must be completely separated and/or sealed from other air moving or air consuming devices such as, but not limited to, furnaces, microwave ovens, clothes dryers, cooling fans and doors or drawers in common cabinets. Failure to do so will affect the appliance(s) combustion air supply by creating either a negative or positive draft.
- NEGATIVE DRAFT caused by air moving appliances may draw the top burner flame down into or toward the cooktop resulting in cooktop damage, burn hazard, explosion possibility and/or carbon monoxide buildup.
- POSITIVE DRAFT may blow out the top burner flame during use resulting in an explosion and/or fire hazard and/or injury to the occupants of the vehicle.
- DO NOT operate the appliance in excessive windy conditions as this may cause a negative or positive draft.

1. For proper operation of your cooking appliance:

THE HOUSING CABINET MUST BE:

- properly constructed.
  - squared to the countertop and cabinet face
- OPENING IN THE HOUSING CABINET MUST BE:
- level from side to side and front to rear

2. For ranges, the cabinet opening must be constructed so that no combustible material can be placed next to the range sides. If there is a gap between the range and an adjacent cabinet, the gap must be closed prior to installing the range.

**⚠ WARNING**  
**FIRE**

- 30 inches is the *minimum vertical distance to combustible material* above the cooktop stove. This distance may be reduced by using non-combustible construction in accordance with Table 2-6.7.2 in ANSI A119.2.

3. Cabinet dimensions needed for each model are shown in **CABINET & COUNTER CUT OUT CHART**. The cabinet cut-out must be located with respect to the minimum clearances to combustible materials as noted. When planning the location, consider curtains or other combustible materials installed around the range or cooktop.

Note: For models having suffix “N” (i.e. RV1735 BGNP) Countertops with an overhang must be notched as shown in the illustrations. The notch should be 7/16” minimum, both sides.

**WARNING**  
**FIRE AND/OR EXPLOSION**

- **KNIFE RACK INSTALLATION** - Gas supply pipe must be installed with clearance from knives contacting or cutting gas lines.

4. When the cabinet has been prepared according to the dimensions given and the gas line is in place, remove the range or cooktop from its packaging and position the range or cooktop in the opening.
5. Verify the range or cooktop is level from side to side and front to rear.
6. Remove the cooking grate(s), slide the range top back about 1/8”, then lift up on one of the front corners (FIG 3) to remove the range top.
7. Fasten the range or cooktop in place with wood screws (not supplied) through holes in burner box. Care should be taken to not force the range mounting flanges to bend, which may cause the range or cooktop to be mounted too low in the cabinet cutout.

**WARNING**  
**FIRE**

- Gas line material inside the burner box must be rated for a minimum of 300°F operation.

8. Make the gas connection. All openings in the cabinetry around the gas line must be closed at time of installation. **With electronic ignition:** Complete the electrical connections as shown in the **WIRING DIAGRAM**. For galley slide-out applications, it is highly recommended that the negative 12 volt connection be connected directly to the battery. Voltage supply must be between 9 and 13VDC. Appliance electrical rating is 12VDC, 0.6A during sparking.

**CAUTION**  
**PRODUCT DAMAGE HAZARD**

- Connect to 12VDC service only.
- DO NOT connect to a circuit fused for more than 3 amps.
- DO NOT hi-pot range unless electronic ignition system has been disconnected.

9. Turn on the gas supply.

**WARNING**  
**EXPLOSION OR FIRE**

- DO NOT use matches, candles or other sources of ignition to test fittings and gas lines for leaks.

10. Check all connections for gas leaks using a non-corrosive leak detection fluid. Do not use a soap and water solution. Leak test in excess of 8 oz. per square inch (1/2 psi) of air pressure will invalidate warranty.
11. Replace range top (FIG 4-5). Range/cooktop is now ready for operation.

**TOP BURNER OPERATION**

**WARNING**  
**BURN INJURY, FIRE AND/OR EXPLOSION**

- Use range or cooktop only for use as described in this manual.
- DO NOT leave children alone or unattended in area where range or cooktop is in use. Never allow anyone to sit, stand, or climb on any part of the range cooktop. They could be burned or injured.
- DO NOT store things children might want above the range or cooktop. Children could be burned or injured while climbing on it.
- DO NOT wear loose or hanging garments when using the range or cooktop. They could ignite if they touch an open flame and you could be burned.
- Use only dry potholders. Moist or damp potholders on hot surfaces may result in burns from steam. Do not let the potholder touch an open flame. DO NOT use a towel or bulky cloth for a potholder. It could catch on fire.
- DO NOT heat unopened containers. They could explode. The hot contents may cause burns and container particles may cause injury.
- DO NOT use range or cooktop for warming or heating vehicle. You could be burned or injured, a fire could start, or deplete oxygen in the vehicle.
- DO NOT store flammable materials on, in, or near the range or cooktop. Any fumes can create an explosion and/or fire hazard.

**WARNING**  
**BURN INJURY, FIRE AND/OR EXPLOSION**

- All control knobs must be turned to OFF when not in use. Fire and/or burning hazard may occur if a burner is accidentally left ON.
- DO NOT operate range or cooktop if it is damaged or not working properly.
- Know where your vehicle’s main LP gas shutoff is located.
- Verify sufficient gas supply before attempting to light any top burner. Air in the gas supply line will significantly delay burner ignition, and a burner may light unexpectedly as the air in the line clears out and is replaced by LP gas; this unexpected ignition may burn you. Air may be introduced into the supply line when the vehicle gas bottle is replaced, during servicing of other gas appliances, etc.
- If any burner should extinguish (after initially lighting or due to accidental blow-out), turn all burner knobs clockwise ↻ to OFF and WAIT FIVE (5) MINUTES before again attempting to light the burner.
- DO NOT touch top burners, burner grates, or other areas near top burners during and after use. Do not let clothing or other flammable materials to contact top burners or areas near top burners until they have had sufficient time to cool.
- Make sure the utensils you use are large enough to contain food and avoid boil overs and spillovers. Heavy splattering or spillovers left on the cooktop can ignite and burn you.
- DO NOT drop pans on the porcelain surface. Cracks or chips in the porcelain surface may result.
- Be sure that glass cooking utensils are safe for use on the cooktop. Only certain kinds of glass utensils are suitable for surface or top burner use without breaking due to the sudden changes in temperature.
- Never leave top burners unattended. A boil over could result and cause smoking and greasy spillovers that may ignite.
- Turn pan handles inward, but not over other top burners. This reduces the chance of burns due to bumping pan.
- Grease is flammable. Never allow grease to collect around top burners or on cooktop surface. Wipe spillovers immediately.
- DO NOT use water on grease fires. Never pick up a flaming pan. Smother a flaming pan with a tight-fitting lid or cookie sheet. Flaming grease outside of the pan can be extinguished with baking soda or a multipurpose dry chemical or foam-type fire extinguisher.
- Use care when lighting a top burner by hand. If the burner lights unexpectedly, or your hand is close to the burner, you may be burned.
- Burner flame should not extend beyond the edge of the cooking utensil. The flame could burn you and cause poor cooking results.

1. Check that gas is on at shutoff valve.

**2. LIGHTING Top Burners:**

- All burner controls operate counter-clockwise ↺ and must be pressed inward (toward the cooktop) to turn ON or LITE. Do not attempt to light more than one burner at a time.
- IMMEDIATELY light the burner by holding a lit match or a hand-held spark igniter designed for this purpose near the burner ports.
- To extinguish the top burner flame, turn the appropriate burner knob clockwise ↻ to OFF.

**LIGHTING Top Burners with spark ignition: (FIG 4-5)**

- Turn the appropriate burner knob counter-clockwise ↺ to ON or LITE. Do not attempt to light more than one burner at a time.
- Turn the SPARK knob clockwise ↻ one “click”. If the burner fails to light, continue turning the SPARK knob clockwise ↻ until the burner lights.
- To extinguish the top burner flame, turn the appropriate burner knob clockwise ↻ to OFF.

**LIGHTING Top Burners with electronic ignition:**

- Turn the appropriate burner knob counterclockwise ↺ to ON or LITE. This will automatically activate the ignition system, and all burners will begin to spark repeatedly. This is the “clicking” sound you will hear.
- The burner will light within five (5) seconds. Once the burner is lit, turn the knob counterclockwise ↺ to the desired setting.
- To extinguish the top burner flame, turn the appropriate burner knob clockwise ↻ to OFF.
- If 12 VDC power is not available to the ignition module for any reason, top burners may be lit manually. See instructions in “Lighting Top Burners”.

**CAUTION**  
**PRODUCT DAMAGE HAZARD**

- DO NOT cook with the control knob set in the LITE position. Damage to the ignition module and burner electrodes may result.

3. Proportional flow (linear) top burner valves are installed. Start cooking at the HI setting, then turn the control knob counter-clockwise ↶ to continue cooking and obtain best results. Use the following table as a guide until you get used to the setting.

SETTING	RECOMMENDED USE
LITE	• To light the burner
HI	• To start foods cooking • To bring liquids to a boil
MED 9-6	• To hold liquids at a boil • To fry chicken or pancakes • To cook large amounts of vegetables
LOW - 5- Low	• To keep food warm



**CAUTION  
PRODUCT DAMAGE HAZARD**

- **DO NOT** use oversized cookware. The pan should not be more than one inch larger than the burner grate. The maximum pan size is a 10-inch skillet. Oversized cookware will cause excessive heat build-up in the stove top and will result in damage to the burner grate, burner and cooktop.
- **DO NOT** use a broiler pan, griddle, or any other large utensil which covers more than one (1) top burner at a time. This will create excessive heat which may cause melting, sooting or discoloration damage to the burner grates, range top, or utensils.
- **DO NOT** leave an empty utensil, or one which has boiled dry, on a hot top burner. The utensil could overheat and damage the utensil or the cooking appliance.

**OVEN OPERATION**



**WARNING  
FIRE, EXPLOSION, BURN INJURY,  
CARBON MONOXIDE POISONING**

- **DO NOT** touch any inner surfaces of the oven or oven door, or the wire rack inside, or any utensils inside the oven during and after use until these areas have had sufficient time to cool. You could be burned or injured. During and after use, do not let clothing or other flammable materials contact these areas until they have had sufficient time to cool.
- **DO NOT** touch the outer surface of the oven door or the oven vent while the oven is in use. These areas become hot enough to cause burns. During and after use, do not let clothing or other flammable materials contact these areas until they have had sufficient time to cool.
- **DO NOT** cover the ventilation holes in the oven broiler shelf (shelf above oven burner). The air circulation inside the oven will be interrupted and cooking times will vary from normal; food may be burned or undercooked.
- **DO NOT** cover the oven vent openings while the oven is in operation; restricting the flow of combustion air may create a carbon monoxide poisoning hazard.
- **DO NOT** use oven as a storage area.
- If oven pilot should extinguish after initial lighting or due to accidental blowout, turn oven knob clockwise ↷ to OFF and wait five (5) minutes before again attempting to light oven.

1. Check that gas is on at shutoff valve.
2. **LIGHTING THE OVEN PILOT**
  - a. Push in oven control knob FIG 1-A and rotate counter-clockwise ↶ to PILOT ON - PUSH/HOLD.
  - b. PUSH the knob in and HOLD it in while holding a lit match under the oven pilot FIG 1-C located near the back of the oven, under the broiler shelf FIG 1-B and to the right of the oven burner FIG 1-D.
  - c. Continue to hold the oven control knob in for 5 seconds after pilot is lit. Release knob and verify pilot stays lit. Repeat steps (b) and (c) if pilot does not stay lit.
  - d. Set the oven control knob to PILOT PUSH/HOLD to maintain pilot flame. The oven and broiler are now ready for operation; see #3 below before proceeding. The oven pilot has been factory set and requires no further adjustment.
  - e. To extinguish the oven pilot, push in the oven control knob FIG 1-A and rotate clockwise ↷ to OFF. Extinguish all pilots when refueling or traveling.

3. **LIGHTING THE OVEN BURNER:**
  - a. Light the oven pilot as described in #2 above.
  - b. With the oven control knob set to PILOT PUSH/HOLD, push in and rotate the knob counter-clockwise ↶ to the desired temperature setting or to BROIL. The oven will pre-heat in approximately 15 minutes. For best results, always pre-heat the oven before use.
  - c. To extinguish the oven burner, rotate the knob clockwise ↷ to PILOT PUSH/HOLD. The oven pilot will remain lit.
  - d. For complete shutdown, push in and rotate the knob clockwise ↷ to OFF.

4. **USING THE BROILER:**
  - a. Light the oven pilot as described in #2 (above).
  - b. Push in and rotate the oven control knob counter-clockwise ↶ to BROIL.
  - c. Center a broiler pan under the broiler flame.
  - d. Move and turn the food over frequently to ensure even browning and cooking.

Note: A 2-piece enameled broiler pan (MPD 51042) may be purchased from Atwood.

Note: Cooking times will be longer at higher altitudes (+4000 feet).

**MAINTENANCE**



**WARNING  
BURN INJURY, FIRE AND/OR EXPLOSION**

- Make sure all controls are OFF and the range or cooktop is cool before cleaning.
- Make sure that all cooktop surfaces, burner grates and burners are cool before cleaning or disassembling cooktop.
- **DO NOT** use oven cleaners, bleach, or rust removers on the cooktop or burner grates.
- **DO NOT** obstruct the flow of combustion and ventilation air.
- Keep appliance area clear of combustible materials, gasoline and other flammable vapors and liquids.
- Clean oven with oven cleaner only. Follow directions on the container.
- Never use a wire brush or metallic item for cleaning burner ports or orifices. Brush may “shed” bristles, that may lodge in the orifice or burner ports and cause a fire or explosion.



**CAUTION  
PRODUCT DAMAGE HAZARD**

- Clean all surfaces as soon as possible after boil overs or spills.
- Use warm soapy water only to clean the burner grates, cooktops, painted surfaces, porcelain surfaces, stainless steel surfaces and plastic items on your range or cooktop. Do not use grit or acid-type cleaners.
- **DO NOT** use steel wool, or abrasive cleaners, or acid type cleaners such as chlorine bleach on your cooktop or grate systems. They will damage your range or cooktop. Use only non-abrasive plastic scrubbing pads.
- **DO NOT** allow foods containing acids (such as lemon or tomato juice, or vinegar) to remain on porcelain or painted surfaces. Acids may remove the glossy finish. Wipe up egg spills when cooktop is cool.
- **DO NOT** wash warm porcelain surfaces. Allow these areas to cool before cleaning. You could burn yourself, or the porcelain could crack.
- Pitting and discoloration will result if spills are allowed to remain for any length of time on stainless steel.
- **DO NOT** allow spills to remain on the burner caps. The caps could become permanently stained.
- When cleaning around the burners, use care to prevent damage to the electrode (if so equipped). If a sponge or cloth should catch the metal igniter electrode, it could damage or break the electrode. If this occurs, the burner will not light.

The owner's cooking habits and cleanliness will affect the operation of the range or cooktop. Proper installation and care will help keep your range or cooktop looking and operating like new. Most cleaning can be performed using normal household items.

**RANGE & SLIDE-IN COOKTOP: TOP REMOVAL**

**NOTE: RA models with sealed burners require all burner heads be removed FIRST by twisting the burner heads counter clockwise and lifting upward. Replacement after Step 2, reverse (twist Clockwise) to re-install.**

- To remove the range top:
 

All Models - Push firmly in the back of the top to slide the entire top backwards. While the top is slid backwards, lift up on one of the two front corners (FIG 3).
- To replace the range top:
 

ALL Models - Place top on range (FIG4) so the tabs on the spring clips fit into the slots on top (FIG4). Push backwards on the top until the bracket(s) on the front of top fits into center notch or side tabs in the front control panel (FIG5).
- To remove burner grates:
 

ALL Models - simply lift grate up and remove. Replace by placing two legs at a time into the retaining grommets.

**Clean all surfaces quickly after boil over or spillovers.** Use a dry towel or cloth to soak up spills.

**ALL SURFACES** - When surface is cool, clean with warm soapy water, rinse and dry with soft cloth. Additional cleaning measures:

- Control Knobs - pull the knobs straight off the stems to clean.
- Control Panel - You may use a spray glass cleaner, applying cleaner to a paper towel (do not spray directly on panel.)
- Cook Top Surface - You may use a mild liquid cleaner/glass cleaner.
- Surface Burner Grates - They should be cleaned as soon as they become dirty. You may need to use a non-abrasive plastic scrubbing pad.
- Surface Burners, Burner Ports or Orifices - if clogged, gently brush perforated areas with a lightweight brush (toothbrush) or carefully clean holes out with a toothpick.

NOTE: Heavy burned on soil may require repeated cleaning steps until the soil is completely removed.

NOTE: The grate and surface of the cook top is covered with porcelain coating. Porcelain is a glass/ceramic coating glazed to the surface of the metal. Porcelain is designed to provide a surface that can withstand high temperatures and maintain an attractive appearance and make it easier to clean.

After top burners have been on for a period of time, you may experience a popping sound when the burner is turned off. This is normal and does not create a safety hazard.

## STORAGE

Dry all surfaces and burner box, then spray surfaces with an oil base substance to preserve the surface from rusting during long term storage. Wipe off oil coating before reuse.

## RANGE MAINTENANCE & CARE INSTRUCTIONS

### CARE OF PORCELAIN

The grates and surface of the cook tops are coated with porcelain. Porcelain is a glass/ceramic coating glazed to the surface of the metal. Porcelain is designed to provide a surface that withstands high temperatures, has an attractive appearance and is easy to care for and clean.

#### UNACCEPTABLE - WHICH WILL VOID YOUR WARRANTY

- NEVER use steel wool, abrasive cleaners, or acid type cleaners such as chlorine bleach or dish detergents with lemon fruit acid on any part of your cook top or grate system.
- DO NOT drop pans on the cook top surface, you may crack or chip the porcelain surface.

Should the porcelain become cracked, chipped or affected by excessive heat, the porcelain surface will become unsightly and its effectiveness will be reduced.

### GENERAL COOKING INSTRUCTIONS

To quickly bring liquids to a boil or to begin a cooking procedure use a high flame setting. Reduce the flame to a lower setting to continue cooking. Using a higher flame setting than is necessary to maintain a gentle boil will not cook food more quickly. After top burners have been on for a period of time, you may experience a popping sound when the burner is turned off. This is normal and does not create a safety hazard.

### COOKWARE

Acquire cookware that fits the RV environment. Proper cookware will reduce cooking time, using less energy with better cooking results.

#### ACCEPTABLE

- A heavy gauge (aluminum or copper) metal pan with a smooth flat bottom (no more than 10" diameter), straight sides, and a tight fitting lid.
- Cover pan with a lid, food cooks faster when covered, because more heat is retained.
- Lowering flame size, increases cooking efficiency.
- Use cookware with appropriate utensils.

#### UNACCEPTABLE - WHICH WILL VOID YOUR WARRANTY

Oversized cookware causes a build up of excessive heat, which results in damage to the burner grate, burners, and cook top. Including the following cookware - but not limited to:

- Griddles
- Any cookware that extends beyond 1" of the grate edge.
- Any cookware that comes into contact with the cook top.
- Woks with support rings which restrict air circulation around the burners.

Excessive heat will cause grates and tops to lose their protective coating, becoming unsightly in appearance. Airflow is important for cooking, the warmed air must be allowed to mix with air around the burner.

### COOKWARE

Use cookware that fits the RV environment, Proper cookware will reduce cooking time, use less energy, and produce better cooking results.



## OVEN HEAT CONTROL AND GENERAL USE

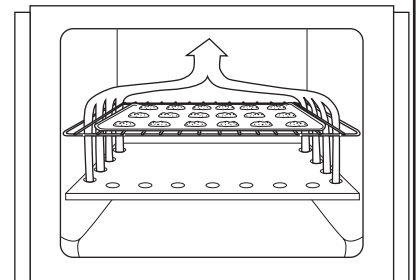
### PREHEATING OVEN

For best results, preheat the oven for 15 minutes before use. For baking, do not select a higher than required temperature to preheat the oven faster, it may have a negative effect on baking results.

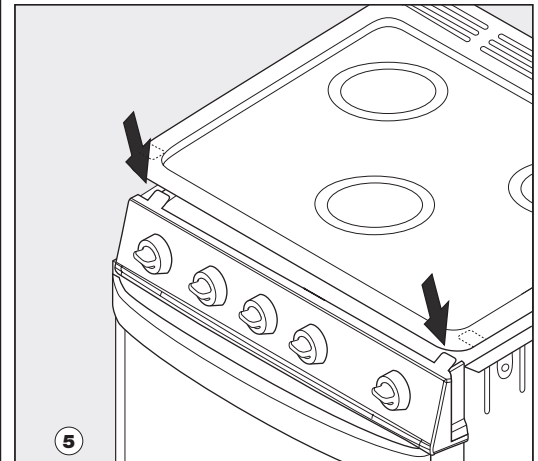
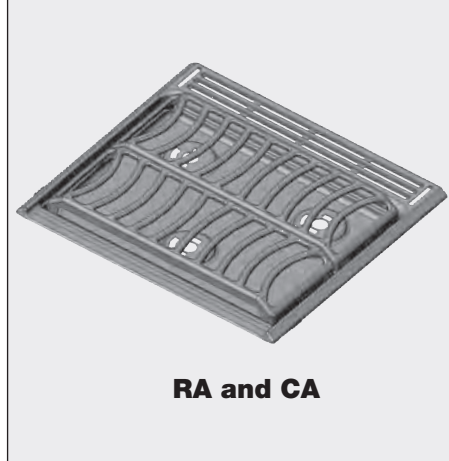
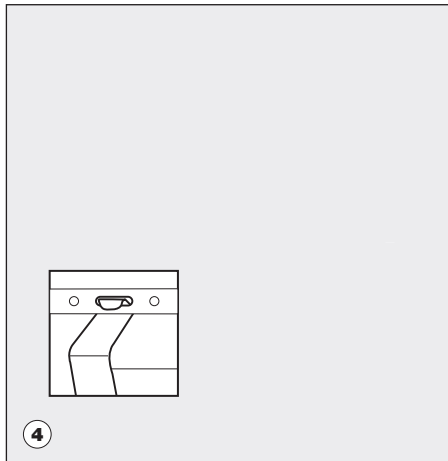
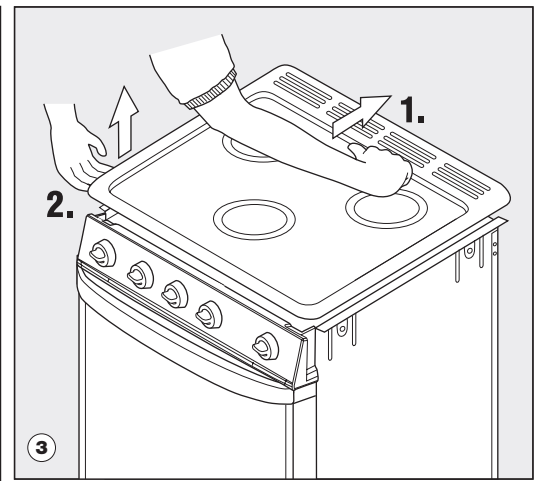
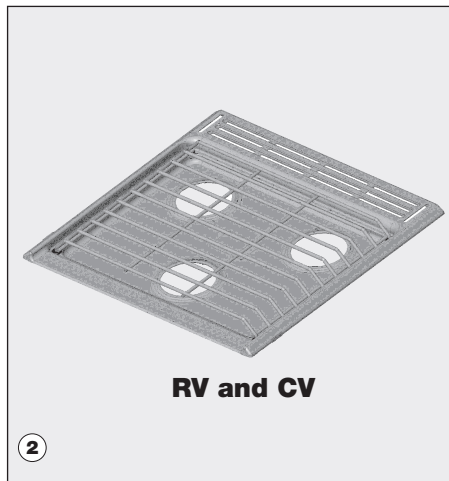
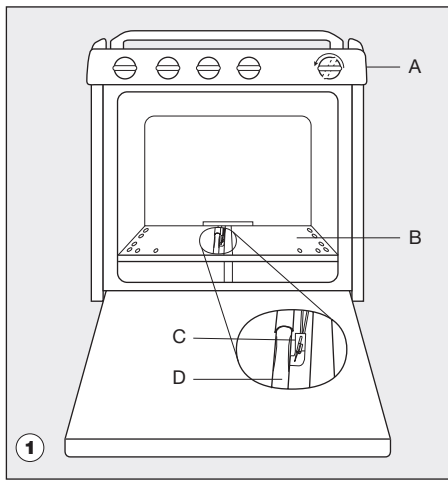
### AIR CIRCULATION

Warmed air must circulate freely throughout the oven for food to cook properly. To prevent undercooked or burned food:

- **DO NOT cover or block ventilation holes in the oven broiler shelf (shelf above the burner).**
- DO NOT cover the bottom of the oven with aluminum foil to catch "over flow".
- DO NOT cover oven racks with aluminum foil.
- Place the food to be baked in the center of the oven with 1"-2" inches space from the oven wall on all sides allowing at least 1"-2" of space on all sides of the container.
- DO NOT crowd the oven with assorted pans or block air passage with an oversized pan.







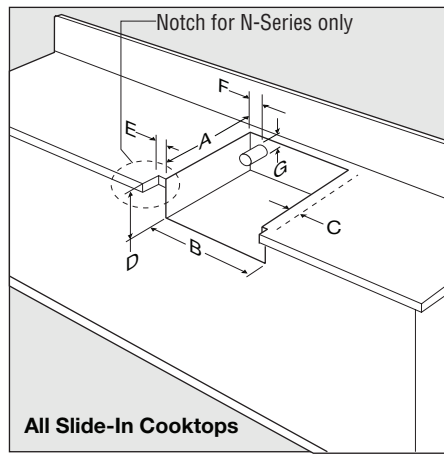
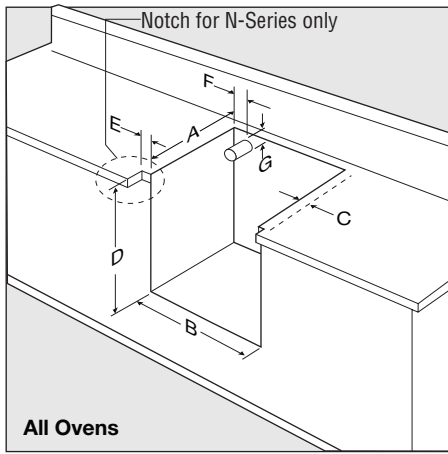
## COOKING APPLIANCE LIMITED WARRANTY

Atwood Mobile Products warrants to the original owner and subject to the below mentioned conditions, that this product will be free of defects in material or workmanship for a period of two years from the original date of purchase. Atwood's liability hereunder is limited to the replacement of the product, repair of the product, or replacement of the product with a reconditioned product at the discretion of Atwood Mobile Products. This warranty is void if the product has been damaged by accident, unreasonable use, neglect, tampering or other causes not arising from defects in material workmanship. This warranty extends to the original owner of the product only and is subject to the following conditions:

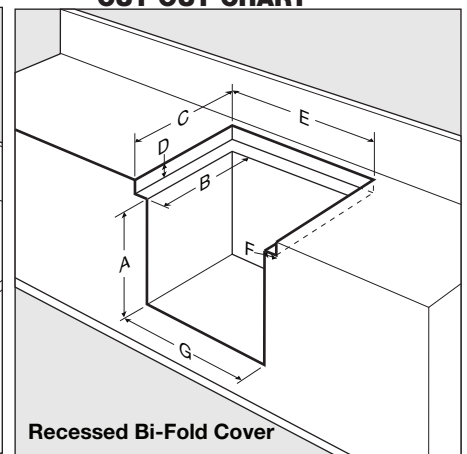
1. For two years from the date of the original purchase Atwood warrants that this product will be free of defects in material and workmanship with the exceptions noted below. This warranty includes reasonable labor charges required to remove and replace the part. Service calls to the customer's location are not considered part of these charges and are therefore the responsibility of the owner.
2. This warranty does not cover the following items classified as normal maintenance and/or customer damage.
  - a. Damage, discoloration or scratches to porcelain enamel or other finishes from improper use and care.
  - b. adjustment of gas pressure
  - c. cleaning or adjustment of any burners
  - d. cleaning or replacement of burner orifices
  - e. cleaning or adjustment of pilot and thermocouple
  - f. damage to glass
  - g. products purchased for commercial or industrial use.
3. In the event of warranty claim the owner must contact in advance either an authorized Atwood Service Station or the Atwood Service Department. Warranty claim service must be performed at an authorized Atwood Service Station (a list will be provided at no charge) or as approved by the Atwood Service Department Atwood Mobile Products, 1120 North Main St., Elkhart, IN 46514 USA. Phone 866-869-3118.

4. Return parts must be shipped to Atwood Mobile Products "prepaid". Credit for shipping costs will be included with the warranty claim. The defective parts become the property of Atwood Mobile Products and must be returned to the Consumer Service Department, Atwood Mobile Products, Greenbrier Operations, 6320 Kelly Willis Road, Greenbrier, TN 37073 USA.
  5. This warranty applies only if the unit is installed according to the installation instructions provided and complies with local and state codes.
  6. The warranty on replacement parts is the unused portion of the original warranty period.
  7. Damage or failure resulting from misuse (including failure to seek proper repair service) misapplication, alterations, water damage or freezing are owner's responsibility.
  8. Atwood does not assume responsibility for any loss of use of vehicle, loss of time, inconvenience, expense for gasoline, telephone, travel, lodging, loss or damage to personal property or revenues. Some States do not allow the exclusion or limitation of incidental or consequential damages, so the above limitations or exclusions may not apply to you.
  9. Any implied warranties are limited to two (2) years. Some States do not allow limitations on how long an implied warranty lasts, so the above limitation may not apply to you. This warranty gives you specific legal rights and you may also have other rights, which may vary, from State to State.
  10. Replacement parts purchased outside the original cooking warranty carry a 90 day warranty. This includes the part at no charge and reasonable labor charges to replace it.
- This Atwood product is designed for use in recreation vehicles for the purpose as stated in the 'data plate'. Any other use, unless authorized in writing by the Atwood Engineering Department, voids the warranty. Atwood/Wedgewood Vision Products include range/oven, drop-in, slide-in and high pressure stoves.

### CABINET & COUNTER CUT OUT CHART



### RECESSED BI-FOLD COVER CUT OUT CHART



#### CABINET & COUNTER CUT OUT CHART - TABLEAU DE DECOUPE DES ELEMENTS ET DU COMPTOIR

CUT OUT DIMENSIONS DIMENSIONS DE LA DÉCOUPE	A	B	C (RV/CV)	D	E	F	G
17" Ranges Série 17"	17.75" 451MM	20.25" 514MM	1.13"† 29MM†	16" 406MM	0" 0MM	1.75" 45MM	1.5" 38MM
21" Ranges Série 21"	17.75" 451MM	20.25" 514MM	1.13"† 29MM†	20" 508MM	0" 0MM	1.75" 45MM	1.5" 38MM
Slide-In Série à encastrément	17.75"* 451MM	20.25" 514MM	1.13"† 29MM†	3" 76MM	0" 0MM	1.75" 45MM	1.5" 38MM
17" N-Series Série 43cm N-Series	17.75" 451MM	20.25" 514MM	1.13"† 29MM†	16" 406MM	7/16" 11MM	1.75" 45MM	1.5" 38MM
21" N-Series Série 53cm N-Series	17.75" 451MM	20.25" 514MM	1.13"† 29MM†	20" 508MM	7/16" 11MM	1.75" 45MM	1.5" 38MM
Slide-In N-Series Série à encastrément N-Series	17.75" 451MM	20.25" 514MM	1.13"† 29MM†	3" 76MM	7/16" 11MM	1.75" 45MM	1.5" 38MM

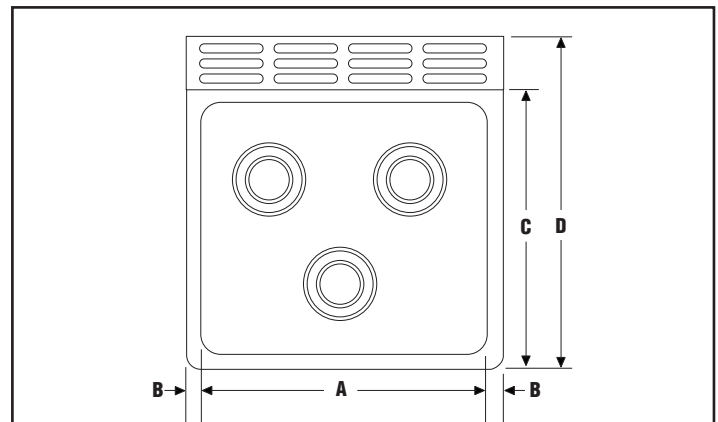
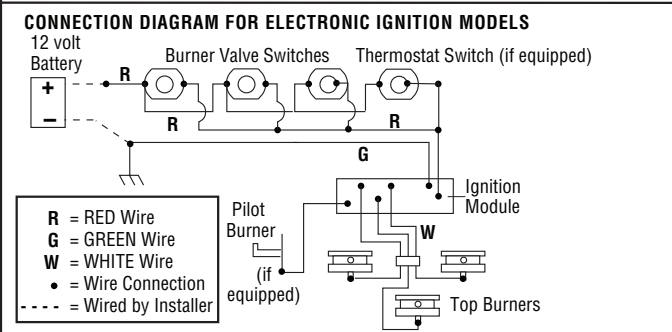
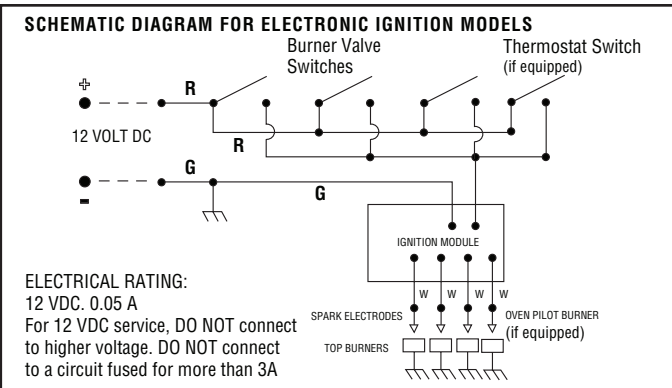
† Minimum clearance to combustible materials. (typical two (2) sides and back)

† Éloignement minimum des matériaux combustibles. (Typiquement sur les deux côtés et à l'arrière)

NOTE: Maximum countertop overhang = 3/4" NOTE: rebord maximum du comptoir = 19 mm

#### RECESSED BI-FOLD COVER - COUVERCLE PLIANT EN DEUX PARTIES ENCASTRÉ

LAMINATE MATERIAL MATÉRIAU STRATIFIÉ	MPD PART #	RA AND RV OVEN		CA AND CV	CUT OUT DIMENSIONS - DIMENSIONS DE LA DÉCOUPE					
		17"	21"	SLIDE-IN	B	C	D	E	F	G
1/4" 6 mm	56397	16.0" 406 mm	20.0" 508 mm	3.0" 76 mm	17.75" 451 mm	20.0" 508 mm	2.31" 59 mm	24.5" 622 mm	2.13" 54 mm	20.25" 514 mm
1/32" .8 mm	56391	16.0" 406 mm	20.0" 508 mm	3.0" 76 mm	17.75" 451 mm	20.0" 508 mm	1.84" 47 mm	24.5" 622 mm	2.13" 54 mm	20.25" 514 mm

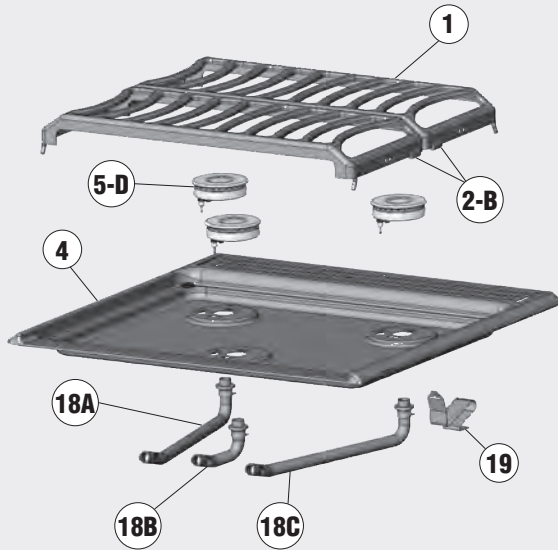


#### RANGE HOOD MOUNTING INFORMATION

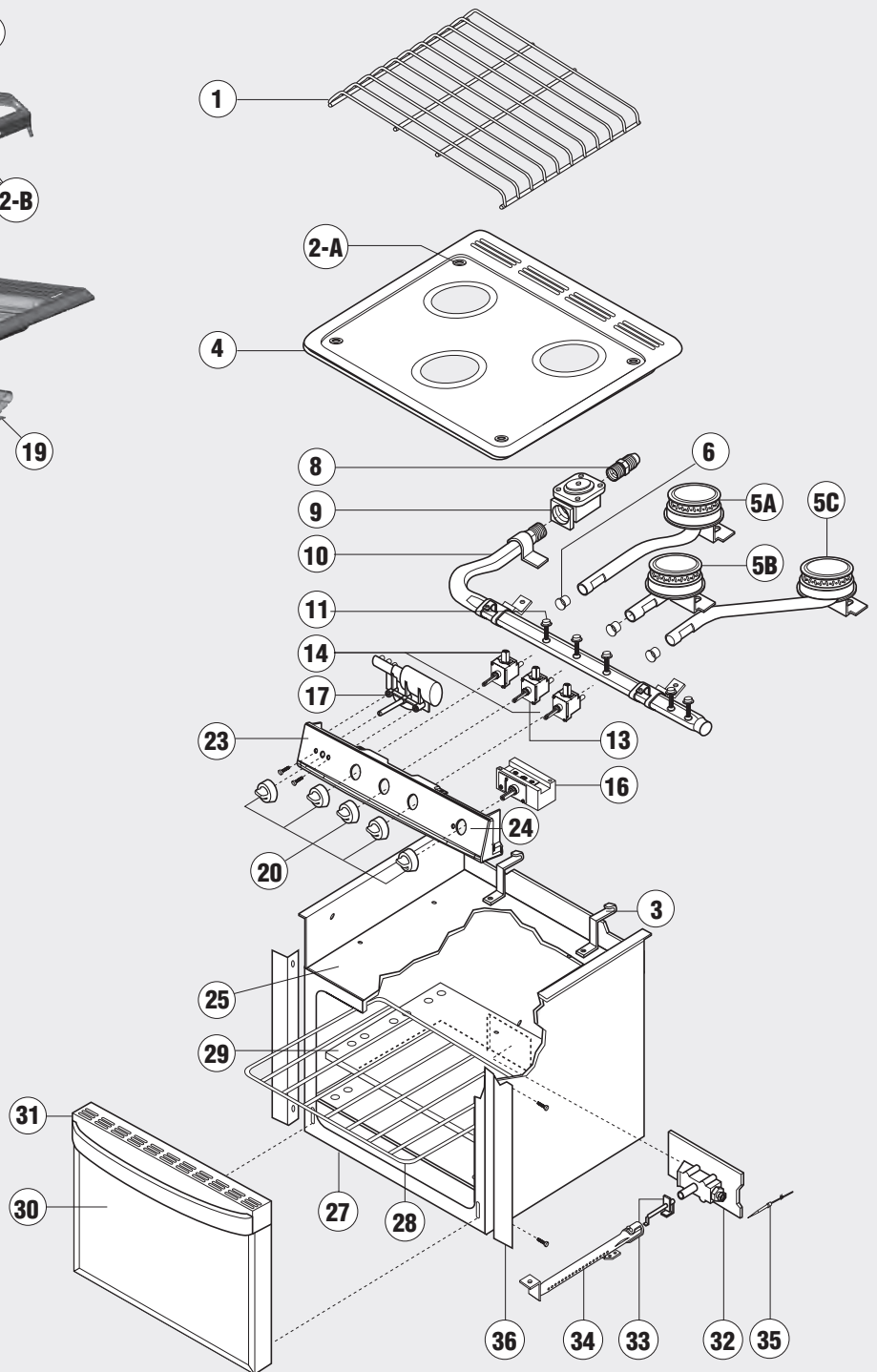
	A	B	C	D
Range Top	19-3/8"			
Mounting Trim		3/4"		
Range Top Depth			15-7/8"	
Range Top plus Oven Vent				19-9/16"

# MODEL 35 - WEDGEWOOD (RV / CV), ATWOOD (RA / CA) Oven & Slide-In Cooktop Parts Identification

## RA & CA Range & Slide-In



## RV & CV Series Range & Slide-In Match Light and Piezo



ITEM	DESCRIPTION	WEDGEWOOD			ATWOOD		
		RV		CV	RA		CA
		1735	2135	35	1735	2135	35
1	Grate - black (2 required for RA & CA)	56272	56272	56272	57190	57190	57190
2A	Grommet	53009	53009	53009	53009	53009	53009
2B	Sealed Grate U-Channel (4 required)				57194	57194	57194
3	Top Spring Clip	51035	51035	51035	51035	51035	51035
4	Range Top - white, side latches	52014	52014	52014	52753	52753	52753
	Range Top - black, side latches	52015	52015	52015	52752	52752	52752
	Range Top - stainless steel, side latches	57532	57532	57532	52754	52754	52754
5A	Kit, Burner, Sparklite - left	52717	52717	52717			
5A	Kit, Burner, Matchlit - left	52718	52718	52718			
5B	Kit, Burner, Sparklite - center	52715	52715	52715			
5B	Kit, Burner, Matchlit - center	52716	52716	52716			
5C	Kit, Burner, Sparklite - right	52713	52713	52713			
5C	Kit, Burner, Matchlit - right	52714	52714	52714			
5D	Burner Head (Twistlock-sealed)				52750	52750	52750
6	Bushing, Burner	53011	53011	53011	53011	53011	53011
8	Brass Fitting	52166	52166	52166	52166	52166	52166
9	Kit, Gas Regulator	51062	51062	51062	51062	51062	51062
10	Kit, Manifold Pipe	52712	52712	52712	52712	52712	52712
11	Bolt, Mini Valve Thermostat	52168	52168	52168	52168	52168	52168
13	Kit, Valve, Burner-9000 BTU	52711	52711	52711	52711	52711	52711
14	Kit, Valve, Burner-6500 BTU	52710	52710	52710	52710	52710	52710
16	Kit, Thermostat oven control	52709	52709		52709	52709	
17	Piezo Ignitor	56096	56096	56096	56096	56096	56096
18A	Burner Tube - left rear				52749	52749	52749
18B	Burner Tube - center front				52748	52748	52748
18C	Burner Tube - right rear				52747	52747	52747
19	Burner Tube Bracket				52803	52803	52803
20	Kit, Knobs (Piezo, Burners & Oven)	52719	52719	52719	52719	52719	52719
23	Control Panel Assy- w/o Label	◆	◆	◆	◆	◆	◆
24	Control Panel Label	◆	◆	◆	◆	◆	◆
25	Burner Box	51687	51687	51687	51687	51687	51687
27	Oven Can	51969	51970		51969	51970	
28	Oven rack	51069	51069		51069	51069	
29	Oven shelf	51670	51670		51670	51670	
30	Door assembly includes handle - black steel	51977	51983		51977	51983	
30	Door assembly includes handle - white steel	51978	51984		51978	51984	
30	Door assembly includes handle - white glass	51981	51987		51982	51988	
30	Door assembly includes handle - black glass	51980	51986		51980	51986	
30	Door assembly includes handle - stainless steel	51958	51992		51958	51992	
30	Door assembly white handle - white steel	51957			51957		
	DOOR-Glass Insert - Sm BLACK	51881			51881		
	DOOR-Glass Insert - Lg BLACK		51882			51882	
	DOOR-Glass Insert - Sm WHITE	51883			51883		
	DOOR-Glass Insert - Lg WHITE		51884			51884	
31	Oven Door Handle - black	51124	51124		51124	51124	
	Oven Door Handle - white	51126	51126		51126	51126	
32	Kit, Oven Gas Supply Assy	52704	52704		52704	52704	
33	Kit, Pilot Burner Assy	52706	52706		52706	52706	
34	Kit, Oven Burner	52705	52705		52705	52705	
35	Kit, Thermocouple	52707	52707		52707	52707	
36	Oven Can Trim	51975	51976		51975	51976	
N/S	Kit, 3/16 Pilot Gas Tube	52708	52708		52708	52708	
N/S	Kit, Piezo Ignition Leads	57553	57553	57553	57553	57553	57553
N/S	Kit, Oven Door Hinges	57557	57559		57557	57559	
N/S	Kit, - Door Seal	51060	51061		51060	51061	

Order by model, color and style not shown in illustration ◆ commander par couleur pas montré N/S