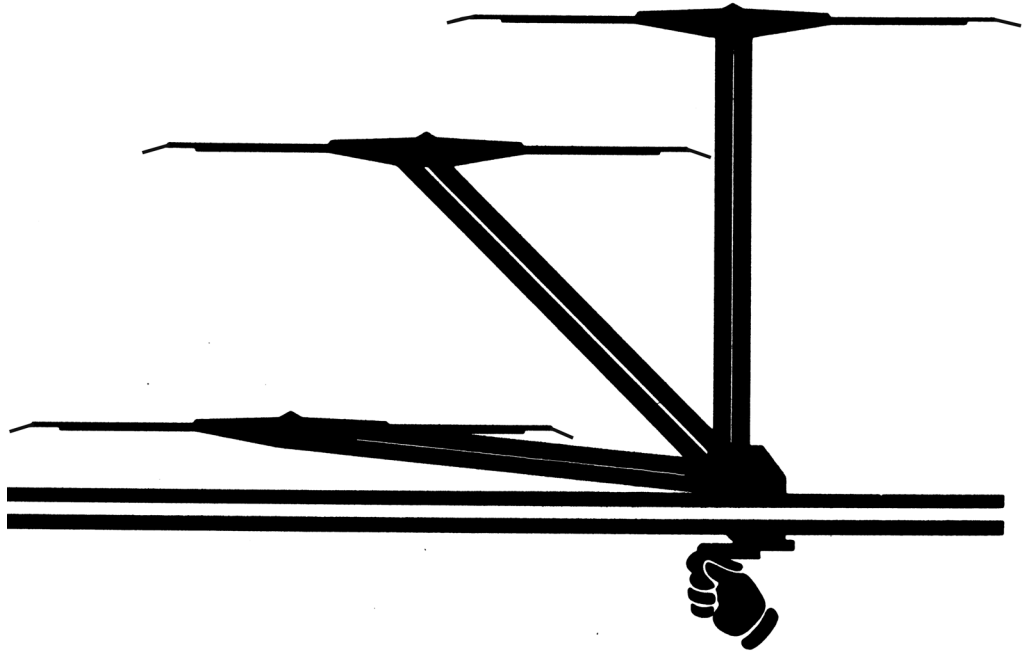


OWNER'S MANUAL

SIGNAL COMMANDER[®]



THIS MANUAL CONTAINS

INSTRUCTIONS FOR: MOD 550

- INSTALLATION
- OPERATION
- TROUBLESHOOTING
- EXPLODED PARTS DRAWING
- WARRANTY

AntennaTek, Inc.

425 S. Bowen, #4

Longmont, CO 80501

(303)772-9591

FAX (303) 774-9533

www.antennatek.com

SECTION I INSTALLATION INSTRUCTIONS

This manual contains information on the following Signal Commander® 6000 models and accessories; the model you have purchased is clearly marked on the front of this manual.

MODEL 250	Amplified Antenna
MODEL 350	Amplified, 2nd TV Ready
MODEL 550	Amplified, 2nd TV & Cable TV Ready

Accessories:	
2nd TV Kit	2nd TV Power Supply & Coax Cables

INSTALLATION KIT CONTENTS:

TOOLS AND SUPPLIES REQUIRED:

ALL MODELS

Qty. Description

1	Amplified Head Assembly
1	Lift Mechanism Assembly
1	15' Coaxial Cable
1	6' Coaxial Cable
1	Coaxial Coupling
1	75 Ohm Wall Mount Power Supply
1	Ceiling Plate
1	Rotation Handle
1	Elevation Handle Assembly
10	#8x1" Pan Head Sheet Metal Screws
4	#8X3/4" Pan Head Screws
2	Groove Pins
2	E Clips

2nd TV Kit

1	2nd TV Power Supply With 12 V Outlet
2	Coax Cables

Mechanical Installation

- Electric Drill (1/2" capacity)
- Drill bits: 1/16" and 1/2" Dia.
- 1-1/2" Diameter Hole Saw
- Phillips screwdriver
- Extension Cord
- Tape Measure
- Hacksaw
- Pliers or Vise Grips

Electrical Installation

- Volt Meter(DC)
- Sabre Saw
- Crimping tool

Supplies

- Non-hardening Caulking Compound or Silicon
- Electrical Tape
- Electrical Wire 14 AWG or Heavier
- Electrical Box if not Already Installed

WARNING

Driving with the antenna raised or partially raised will damage your antenna and void your warranty

1. Installation Planning

A. Pre-wired Vehicles

Follow the instructions in this manual in conjunction with the RV manufacture's recommendations to locate and install the Signal Commander Antenna and power supply.

B. All other Vehicles

Location of the antenna must allow antenna head to point towards the rear of the vehicle when resting in the travel position, and must clear all roof mounted equipment when being raised, lowered or rotated. the roof should not be more than 5.0" thick.

The inside ceiling must be clear of obstructions to ceiling plate and handle. For the cleanest installation, it is recommended that the coaxial cable enter through the roof and be hidden inside a closet. The wall of the closet can be used to mount the power supply.

Locating the antenna close to the television receiver and the 12 Volt DC power source will simplify the installation. Power supplies should be flush mounted in standard electrical boxes. Assure that the 12 Volt source is limited by a 7.5A fuse maximum.

Power supplies should not be connected to existing circuits with fans or motors as this may cause interference to the television, damage the antenna amplifier, and void the warranty.

2. Installation

WARNING!

Electricity Kills!

**Power lines may be overhead.
Care must be taken when installing or
raising the antenna.**

**Before drilling, care must be taken not
to damage any wiring that may be locat-
ed between the vehicle roof and ceiling.**

Step 1: Tape the drill template to the roof of the vehicle in the position where the antenna will be installed.

**Note: The arrow must point towards the
rear of the vehicle. 5 feet of rear
ward clearance is required.**

Step 2: Using a 1-1/2" diameter hole saw, cut a hole through the roof and ceiling for the center shaft.

Step 3: Drill one 1/2" diameter hole through the roof only for the coaxial cable.

Step 4: Drill ten mounting screw holes 1/16" diameter, approximately 1" deep. Remove drill template and clean around mounting area.

Step 5: Measure the thickness of the roof. Using the table and illustrations on page 4, cut the elevation shaft and rotation handle to the correct length for the vehicle's roof.

Step 6: Caulk the bottom of the baseplate with a liberal amount of non-hardening sealing compound, then position and attach the lift mechanism to the roof with ten #8x1" pan head sheet metal screws. Seal the edges of the base plate and the top of the screws with sealing compound. Keep sealing compound away from the surface between base plate and pivot plate.

Step 7: Mount antenna head to lift arm mechanism using two 1/4"x1-5/8" grove pins and "E" clips.

Step 8: Connect the coaxial cable to the antenna head and tighten. Slide the rubber boot over the connection.

Step 9: Attach the other end of the coaxial cable from the antenna to the 15' coaxial cable. Feed the cable through the base plate hub into the inside of the vehicle. Make sure there is adequate cable available for free rotation of the antenna. Route the cable to the primary power supply location. Fill the hub hole with

sealing compound and seal around the hole, slide the rubber boot over the baseplate hub and seal the boot and the coaxial cable.

**NOTE: If a roof wedge is used to level
the antenna you need to seal the roof
wedge also.**

Step 10: Position the ceiling plate over the rotation handle with pointers aligned and slide assembly over shaft in ceiling. Mark hole positions and remove rotation handle. Mount ceiling plate in place using four #8x3/4" long pan head screws.

Step 11: Assemble rotation handle, spring, washer and elevating handle (See illustration). Slide all parts over shaft and tighten the screw in the elevation handle.
Step 12: Operate the lift and rotate mechanisms to check for correct operation (See Section II - Operating Instructions).

Step 13: The power supply is designed for installation in any standard electrical box. To mount the power supply cut a hole in the wall and install the electrical box. Place the power supply switch in the "OFF" position. Run two wires # 14 AWG or heavier from a 12 Volt DC power source to the rear of the power supply. Assure that the 12 Volt DC power source current is limited to 7.5A at 12Volt DC.

Crimp the quick disconnects onto the wires and push wires onto tabs on the circuit board (see power supply illustration for correct polarity). Place switch in the "ON" position and check the red LED. If the LDE illuminates the polarity is correct. Place switch in the "OFF" position to avoid any short circuits while making cable connections

Step 14: Connect the coaxial cable from the antenna to the connector marked "Antenna" on the rear of the power supply.

Step 15: To connect the second power supply available as an optional accessory for the model 500, run two # 14 AWG or heavier wires from a 7.5A limited 12 Volt DC power source and connect to the rear of the power supply. Insulate the DC connections with wire nuts and insulating tape.

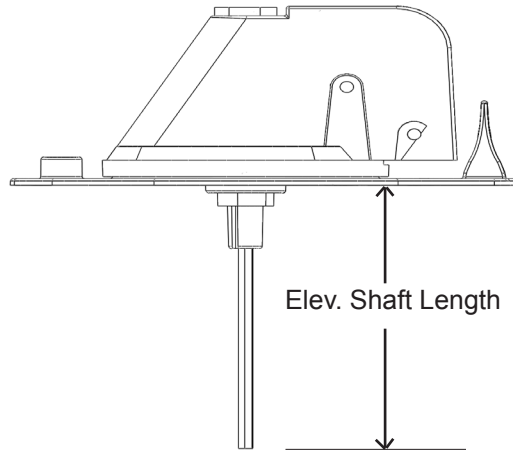
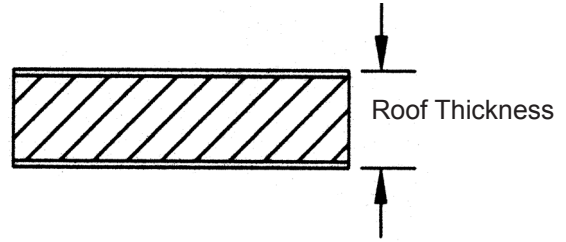
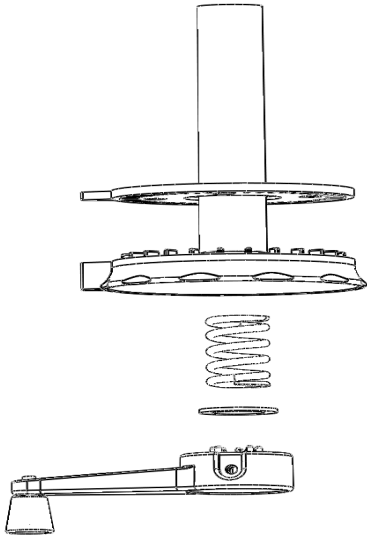
**CAUTION: *The red wire is positive (+)*
 *The white wire is negative (-)***

Attach a coax cable from the rear of the second power supply to the connector marked 2nd TV in the rear of primary power supply.

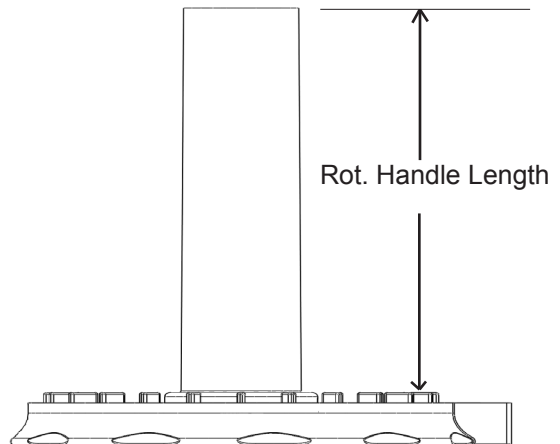
Step 16: Place the power supply(s) inside the electrical box(s) and mount flash with 2 #6x3/4" flat head screws. Attach the coaxial cable(s) to the front of the power supply(s) and connect to the television set(s). Place Switch in the ON position.

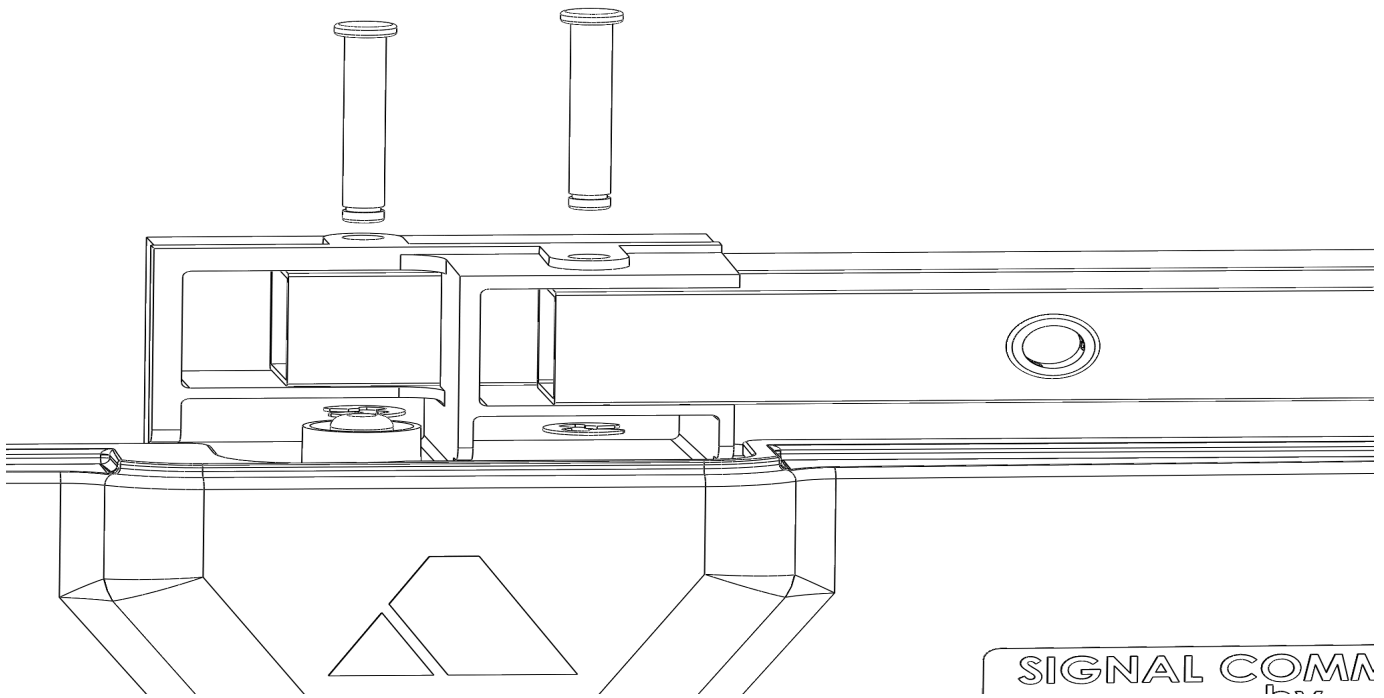
MAINTENANCE:

Lubricate the gears and the "O" ring on the elevating shaft assembly at least twice yearly or as required. With the antenna in the down position remove the 7/8-14 plug and spray a liberal amount of silicon lubricant on the gears and the "O" ring. Install the 7/8-14 plug over the gear and tighten. Remove the arrow clip on the gear housing and spray silicon lubricant into hole. Install the arrow clip.



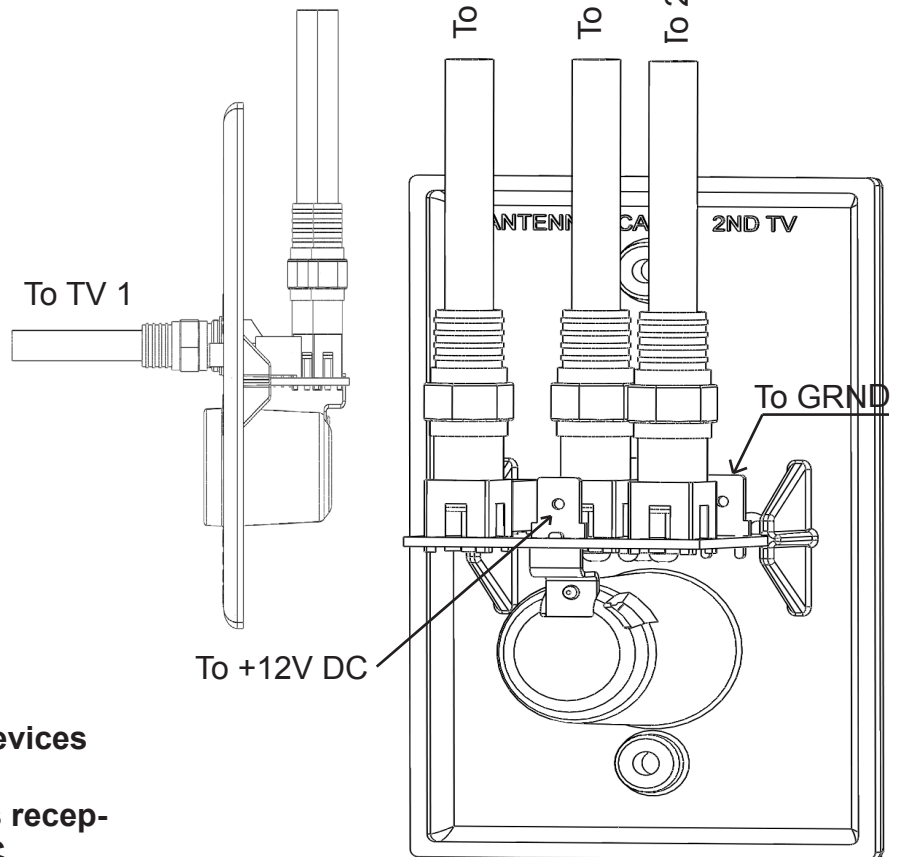
Roof Thickness	Elev. Shaft Length	Rot. Handle Length
1" Min.	2 1/4"	1/2"
1 1/2"	2 3/4"	1"
2"	3 1/4"	1 1/2"
2 1/2"	3 3/4"	2"
3"	4 1/4"	2 1/2"
3 1/2"	4 3/4"	3"
4"	5 1/4"	3 1/2"
4 1/2"	5 3/4"	4"
5"	6 1/4" Max	NO CHANGE





SIGNAL COMB

Warning:
 Use of this power supply with any product other than AntennaTek amplified RV antenna could result in fire or other damage.



Warning:
 Do not connect high current devices to 12 Volt receptacle.
 Maximum current rating of this receptacle is: 7.5 Amps at 12 Volt DC.

SECTION II OPERATING INSTRUCTIONS

1. To Raise & Rotate Antenna

A : Rotate elevation handle clockwise to raise the antenna. Resistance will be felt in the handle when the antenna is completely extended.

B: Switch ON the main power supply. Note red LED indicator illuminated. This indicates amplified reception.

C: Switch ON the television, set the input of the TV to antenna then scan for channels. If a desired channel was not found, pull the rotation handle down to disengage gear from ceiling plate, rotate the antenna 90 degrees and scan for channels.

NOTE: For the Model 550, if external cable TV is connected, turning your power supply OFF will route cable TV to all attached TV's.

2. To Lower Antenna

A: Pull rotation handle down to disengage gear from ceiling plate and rotate the antenna until the pointer on the ceiling plate is aligned with the pointer on the rotation handle. Rotate elevation handle counter-clockwise until you hear the antenna touch the roof (resistance will be felt in the handle).

WARNING: Lowering the antenna with the pointers misaligned may damage the antenna.

B: Amplified reception is possible while driving if your antenna is in the full down position. Switch your main power supply off when TV is OFF.

C: Model 550 only. If external cable TV is connected, disconnect and attach protective cap.

Warning: Vehicle must not be driven with antenna in raised or partially raised position. Worm gear or worm breakage may result.

SECTION III TROUBLESHOOTING GUIDE

Elevation handle turns, but antenna does not raise or lower	Handle loose Stripped gears	Tighten screw Replace gears
Antenna will not rotate	Rotation handle engaged to ceiling plate Obstruction when raised Friction adjustment Installation (caulking) Coax cable too tight	Pull down to disengage from ceiling plate Remove obstruction Adjust center lock nut Remove excessive caulk between base and pivot plates Adjust cable
LED on power supply does not light up	Switch off DC power Coax cable shorted	Turn switch on Check 12 V supply & polarity Replace coaxial cable
No Picture	Television Wiring Antenna cables Antenna or Vehicle location	Tune in or change station See installation steps 14 & 16 Coax cable going to antenna head should have 12V DC, between center conductor and outside shield. Raise and rotate antenna, scan for channels or move vehicle

Note: Signals may be interfered with if the antenna is too close to obstructions such as buildings or trees.

SECTION IV EXPLODED PARTS DIAGRAM

Distributors:

Australia

Dometic Australia
+ 61 3 9239 1000
sales@dometic-waeco.com.au

Canada

Danzy Distributors
(877) 326-9966

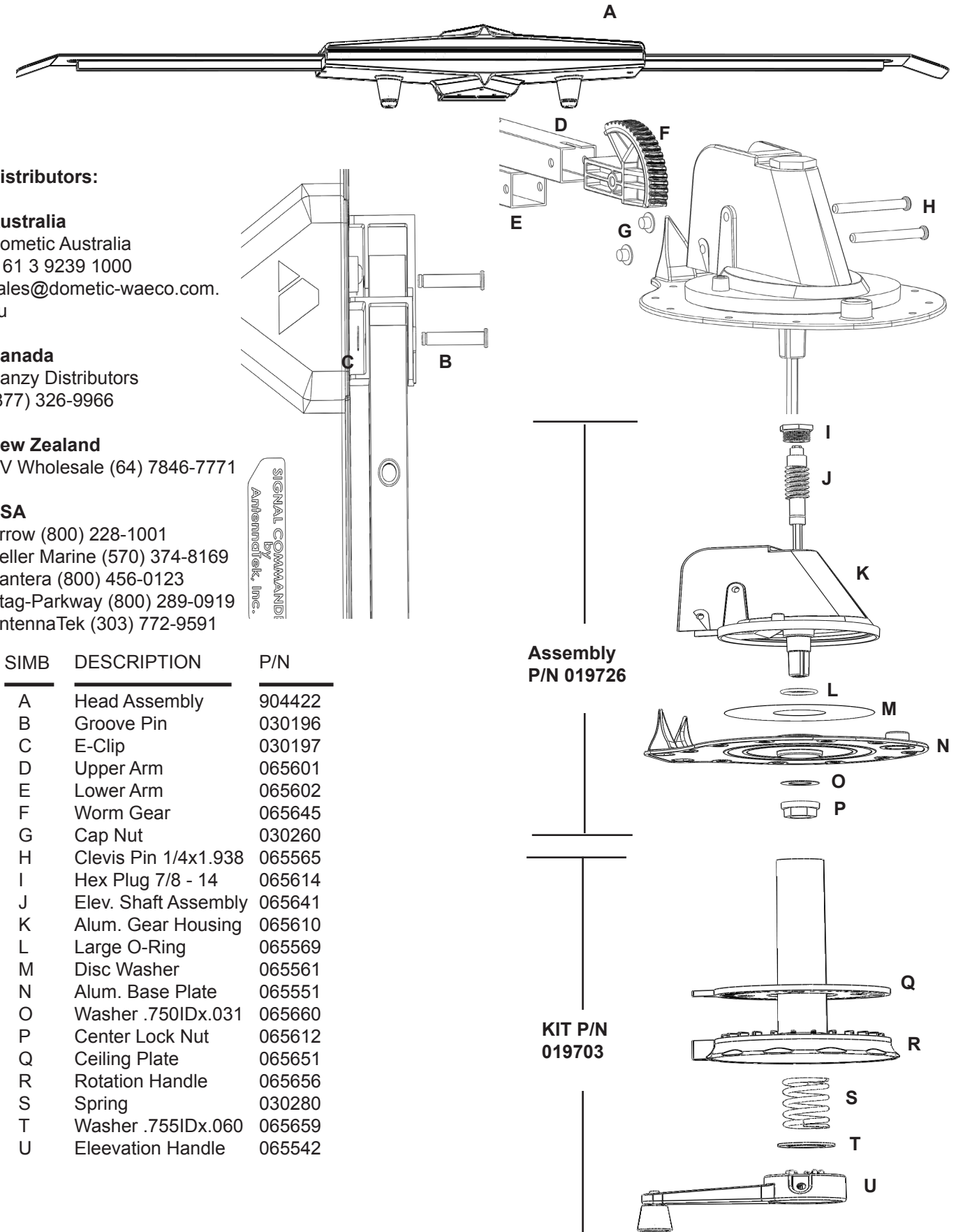
New Zealand

RV Wholesale (64) 7846-7771

USA

Arrow (800) 228-1001
Keller Marine (570) 374-8169
Pantera (800) 456-0123
Stag-Parkway (800) 289-0919
AntennaTek (303) 772-9591

SIGNAL COMMAND!
by
AntennaTek, Inc.



SIMB	DESCRIPTION	P/N
A	Head Assembly	904422
B	Groove Pin	030196
C	E-Clip	030197
D	Upper Arm	065601
E	Lower Arm	065602
F	Worm Gear	065645
G	Cap Nut	030260
H	Clevis Pin 1/4x1.938	065565
I	Hex Plug 7/8 - 14	065614
J	Elev. Shaft Assembly	065641
K	Alum. Gear Housing	065610
L	Large O-Ring	065569
M	Disc Washer	065561
N	Alum. Base Plate	065551
O	Washer .750IDx.031	065660
P	Center Lock Nut	065612
Q	Ceiling Plate	065651
R	Rotation Handle	065656
S	Spring	030280
T	Washer .755IDx.060	065659
U	Elevation Handle	065542

SECTION V WARRANTY

Know your rights and responsibilities before operating this product! Please read the "limited warranty" provided below carefully. Improper operation and maintenance, abuse, neglect, etc. will void your warranty.

AntennaTek, Inc. LIMITED WARRANTY

1. Duration:

One year (365 days) from date of purchase.

2. Who gives the warranty?

AntennaTek, Inc. (the "Company")

3. Who receives this warranty?

The original purchaser (the "Purchaser"), other than for the purpose of resale, of the Signal Commander Antenna.

4. What is covered under this warranty?

A. Repair or replacement at no charge, of parts found by the Company to be defective, provided that the Company receives notice of the defect within three hundred sixty five (365) days from the date of original purchase.

B. Payment of reasonable freight charges incurred to repair or replace the defective part, as pre-authorized by the Company via an "Authorization to Return" form. Expedited shipment or shipment other than that offered by the Company is available as an optional, customer paid service.

5. What is not covered under this warranty?

A. IMPLIED WARRANTIES, INCLUDING THOSE OF MERCHANTABILITY AND FITNESS FOR PARTICULAR PURPOSE, ARE LIMITED TO ONE YEAR FROM DATE OF ORIGINAL PURCHASE OF THE SIGNAL COMMANDER® ANTENNA. LIABILITY FOR INDIRECT OR CONSEQUENTIAL DAMAGES

FOR ANY INCIDENTAL EXPENSES, UNDER ANY AND ALL WARRANTIES IS EXCLUDED.

Some states do not allow limitation on how long an implied warranty lasts, or do not allow the exclusion or limitation of incidental or consequential damages, so the above limitations may not apply to you.

B. Any failure that results from accident, purchasers' abuse, neglect, improper maintenance, or failure to operate and use the product in accordance with the instructions provided in the owner's manual supplied with the product.

C. Any labor charges, travel time, or mileage incurred as a result of installing the replacement part.

D. Any failure that results from improper installation of the product.

E. Any component not sold or manufactured by the company.

6. Responsibilities of purchaser under this warranty.

A. Provide proof of purchase to qualify for credits under provisions of coverage.

B. Promptly notify the seller, or alternatively the Company, of any claim hereunder.

C. Obtain Authorization to Return from the Company and return the product to the Company:
AntennaTek, Inc., 425 S. Bowen St., #4, Longmont, Colorado 80501.

D. Use reasonable care in the maintenance, operation, use and storage of the product in accordance with the instructions contained in the owner's manual.

This warranty gives you specific legal rights. You may also have other rights which vary from state to state.