

2018

AP Products

Service Parts Catalog



AP Products was established in 1994 by Tom Manning Sr. The original intent was to assist one of the suppliers Tom Manning & Associates represented by offering a complimenting line of packaged screws. From there, the company has added a host of products as opportunities arose. All of the products being offered speak to a specific need in the market place that is not being met. This particular service parts catalog is intended to assist RV Dealers in the process of identifying critical service parts needed to repair and maintain their customer's RVs.

We believe the health of the industry is dependent upon a strong Dealer base that is able to fulfill every customer's expectation in a timely and profitable manner. It is our desire to make use of our resources and talents to assist in that process.

Our entire team believes the best means for doing this is for service parts to be stocked in the field by Wholesale Distributors so as to make them readily available to the Dealer when needed.

All of these parts are available from your local/preferred Distributor. If you need additional assistance, we would be pleased to assist where possible.



OFFICE STAFF

Back Row Left to Right: Sharon Dibert, Jenny Miller, Daren Rathbun
Front Row Left to Right: Connie Knight, Janelle Warner, Tasha Smith, Kristi Galliers, Chris Rollins
Missing from Photo: Julie Cook



WAREHOUSE STAFF

Back Row Left to Right: Bob Smith, Christian Vogler, Heidi Hammond, Bill Vogler, Byron Halferty, Brandon Bradford
Front Row Left to Right: Matt Kinney, Amie McKinney, Rachel Iford, Samantha Palmateer, Charlie Putnam, Scott Nagle



TOM MANNING & ASSOCIATES SALES STAFF

Back Row Left to Right: Chris Polley, Tom Manning, Terry Goddard, Tom Lynd
Front Row Left to Right: Jeff Hostetler, Cathy Sutton, Joe Pico, Steve Stewart
Missing From Photo: Matt Boles

AP Products

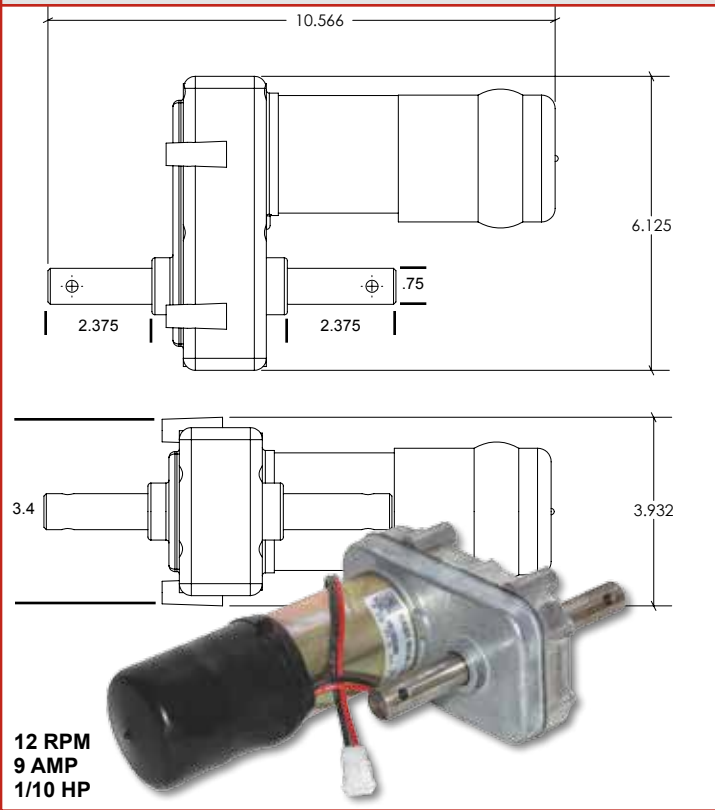
Aluminum Extrusions	32-33
Bits.....	25-27
LITECO Products.....	15-16
RV Entrance Doors/ Replacement Parts	13
Screws	28-31
Screw Covers / Trim	14
Seals	9-12

SIKA	19-20
Slideout Parts	1-8
Slim Shade	13
Spray Paint.....	22
STA'-PUT	21
Surface Shields.....	17-18
Tools	23-24

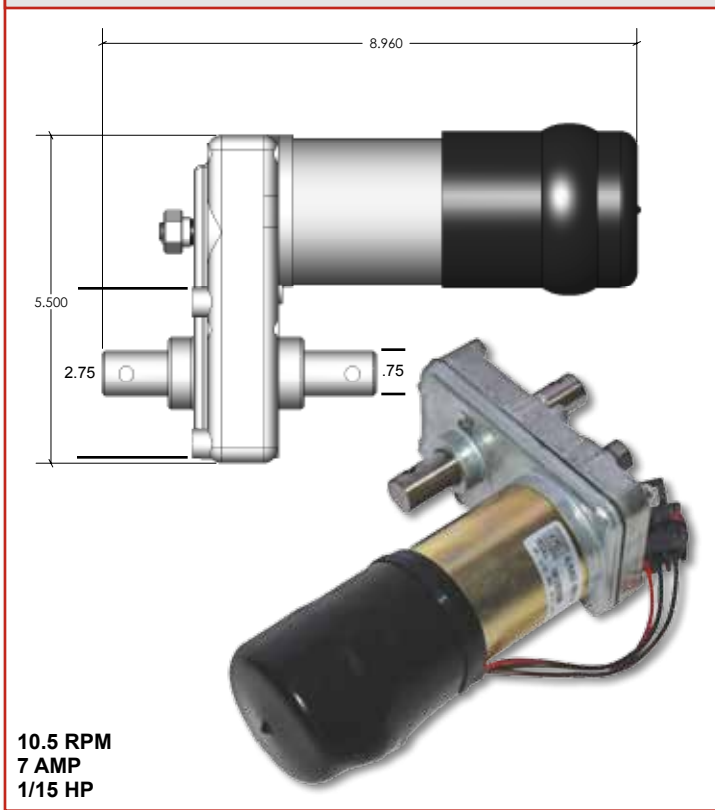


Slideout Parts

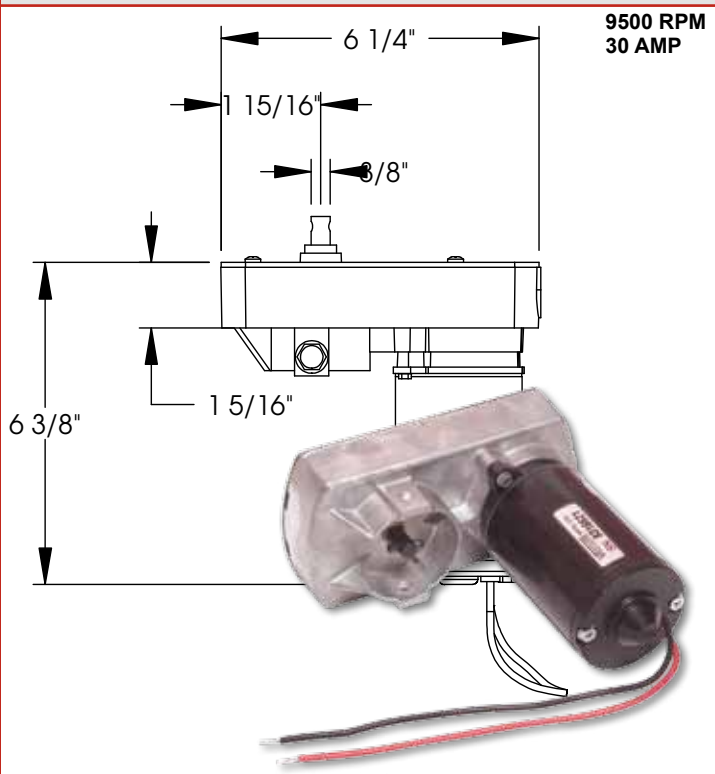
014-138449 - Klauber Motor D-300 (2 Wire)



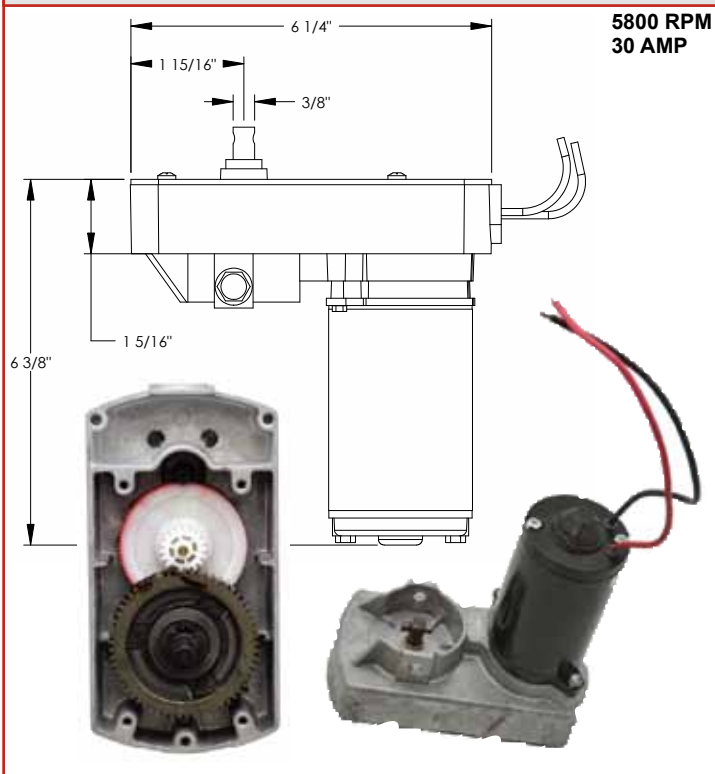
014-130057 - Klauber Motor 500 (3 Wire)



014-132682 - 18:1 Venture Actuator Motor (2-1/4" Inner Gear)

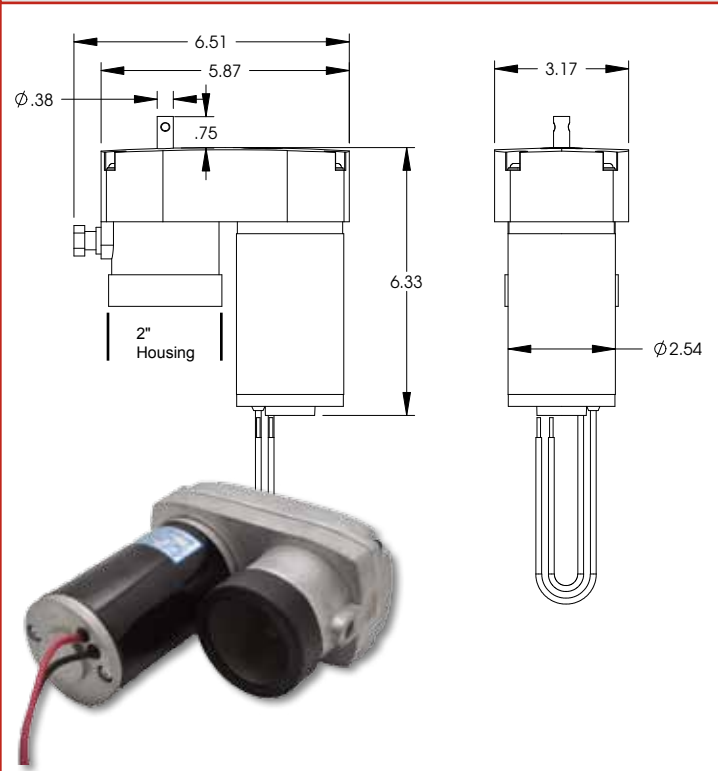


014-136373 - 28:1 Venture Actuator Motor (2-1/2" Inner Gear)

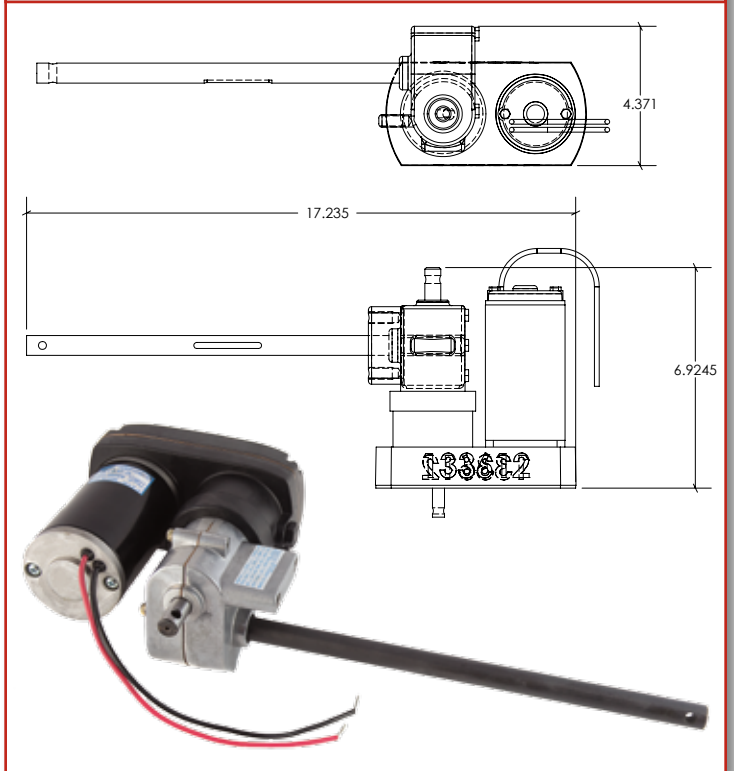


Slideout Parts

014-125802 - 9000 RPM 18:1 Motor (Tuson)
(When not available sub with 014-168956)

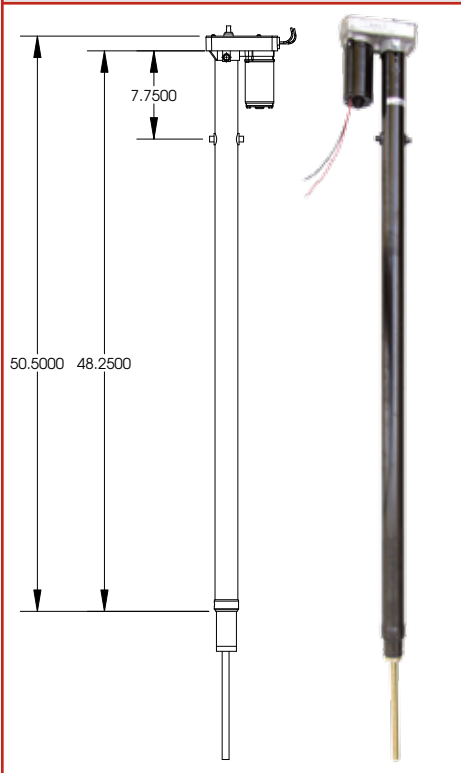


014-133612 - 18:1 Tuson Motor/Drive Shaft
w/right angle gear box

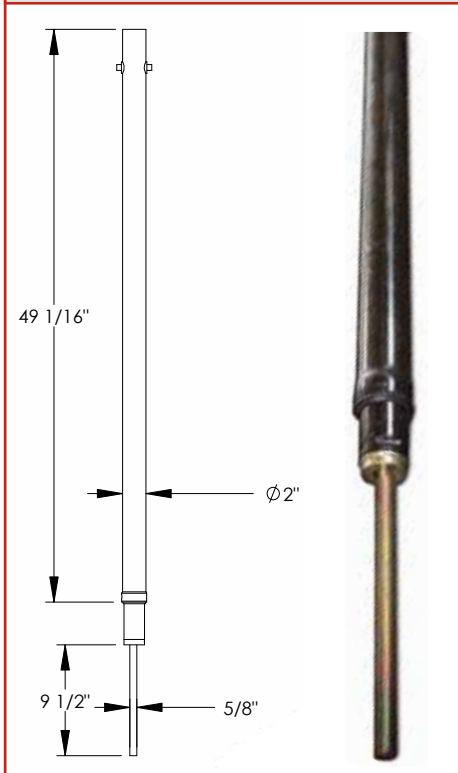


Slideout Parts

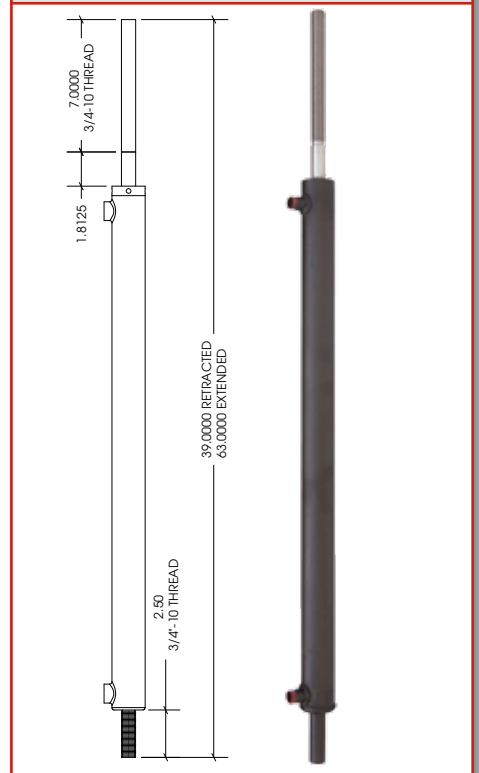
014-168956 - 40" Venture Actuator w/ High Speed Motor



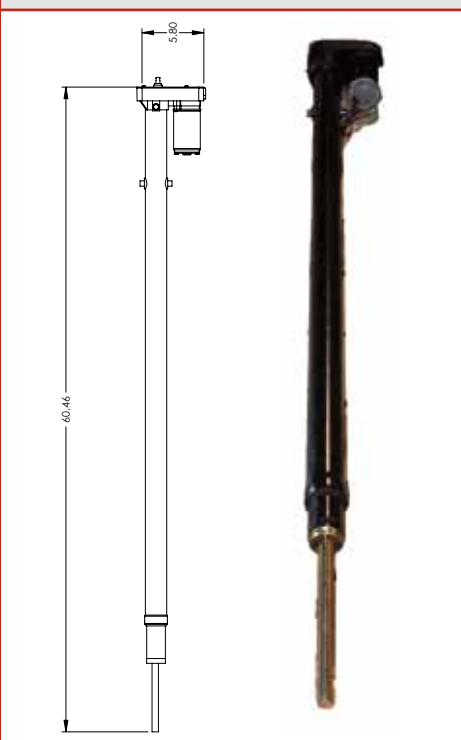
014-145595 - Venture Actuator Only



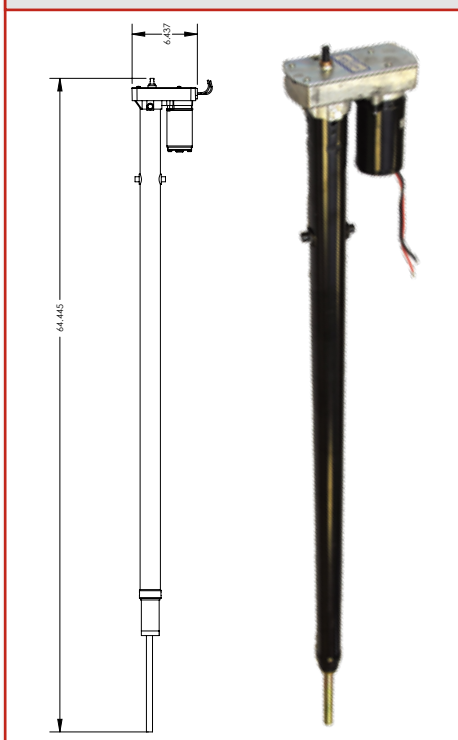
014-125653 - 24" Cylinder (Black)



014-131903 - 40" Tuson Actuator w/18:1 Motor (no longer available. replace w/ 014-168956)

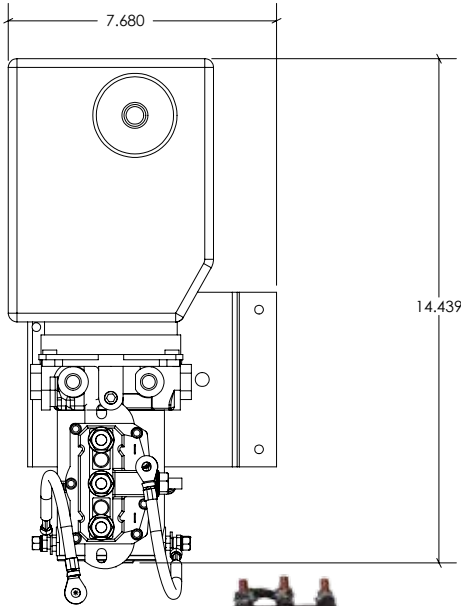


014-119129 - 40" Venture Actuator w/18:1 Motor (no longer available. replace w/ 014-168956)

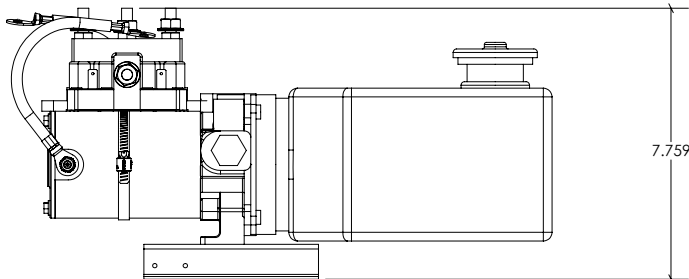


Slideout Parts

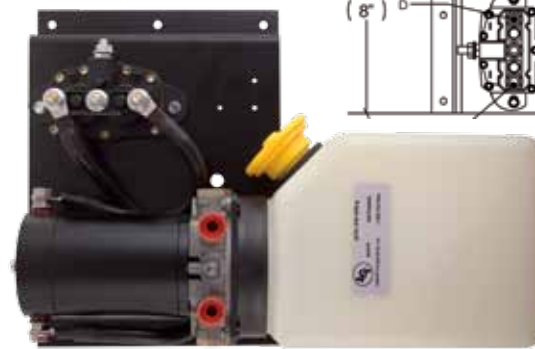
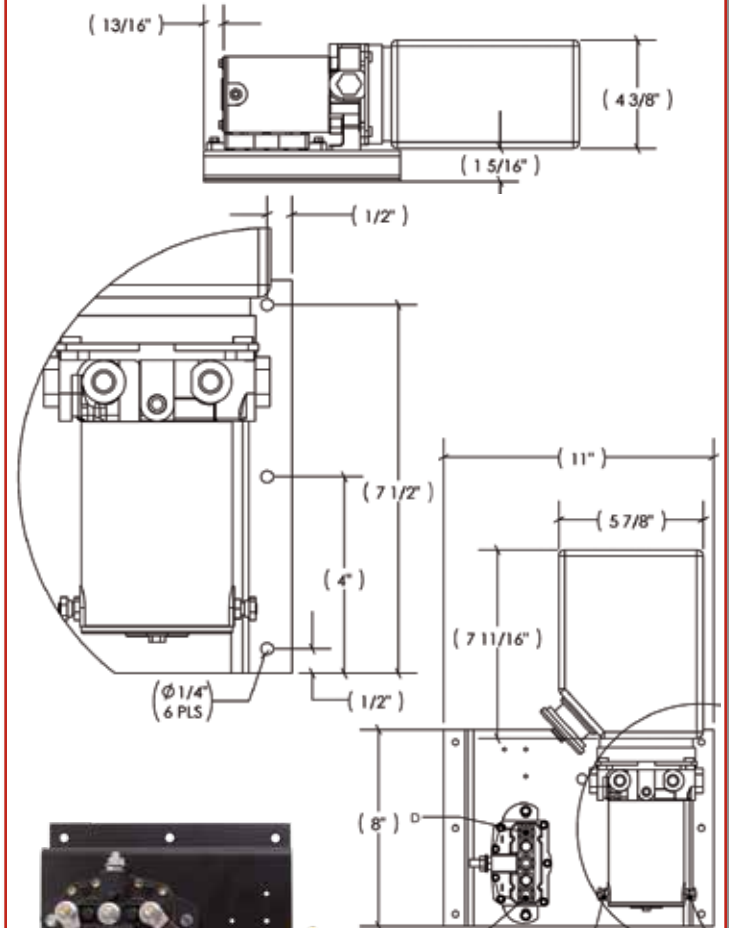
014-141111 - Power Unit 643150 w/Small Parts



014-177420 - 2qt. Reservoir Pump Kit Only



014-183827 - 2Q Vertical Slide Pump Assembly



014-136046 - Trombetta Polar Reverse Solenoid

Copper Contacts



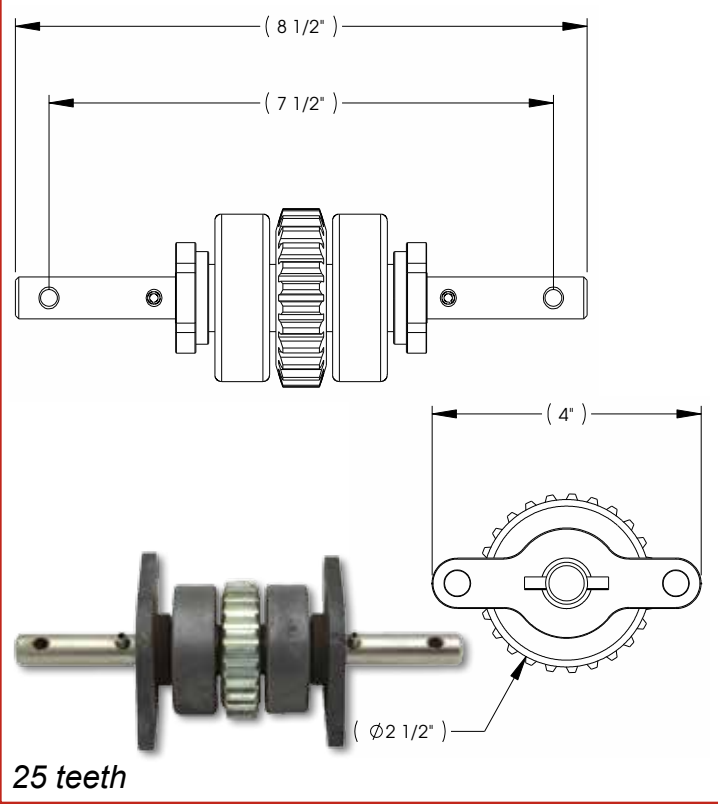
014-118246 - Trombetta Solenoid For Leveling

Silver Plated Copper Contacts

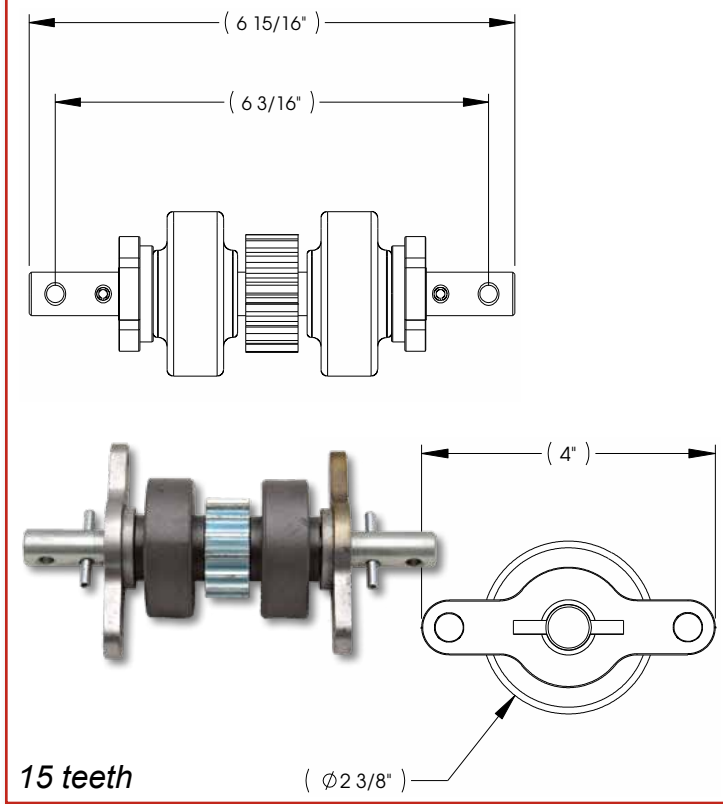


Slideout Parts

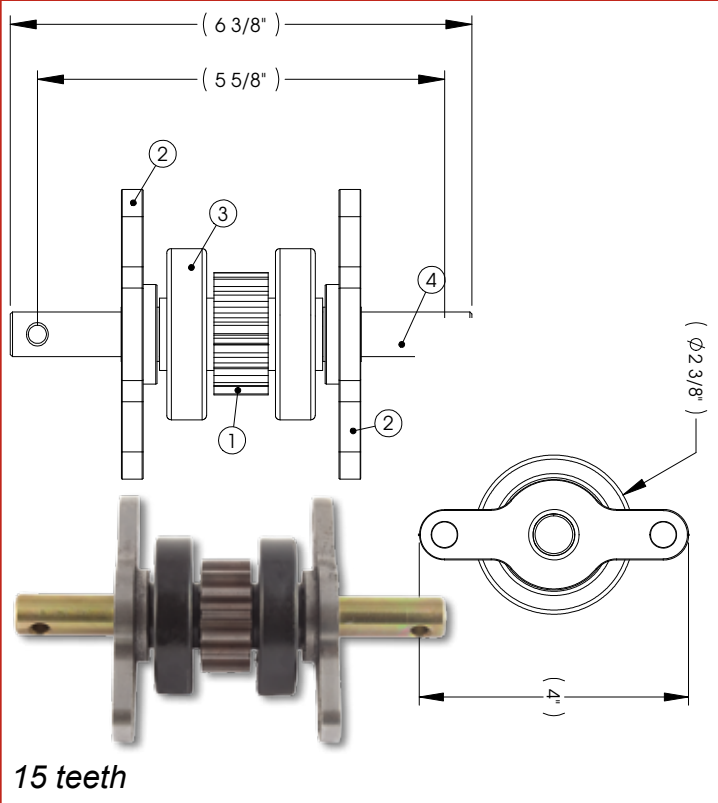
014-140418 - Gear Pack - ER w/Roll Pins Assy



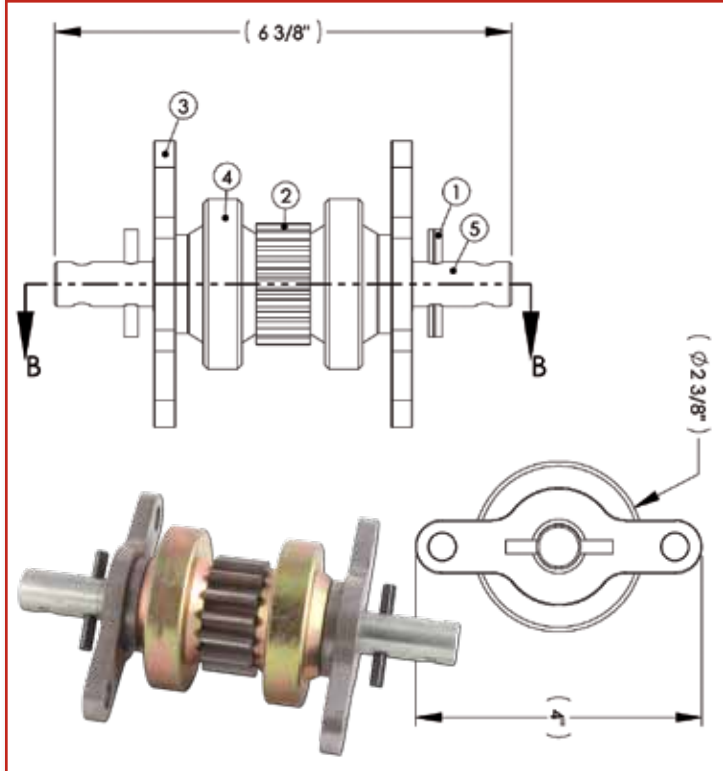
014-140409 - Gear Pack 2x3 w/Roll Pins Assy



014-281331 - 2x2 Gear Pack w/o Roll Pins Assy

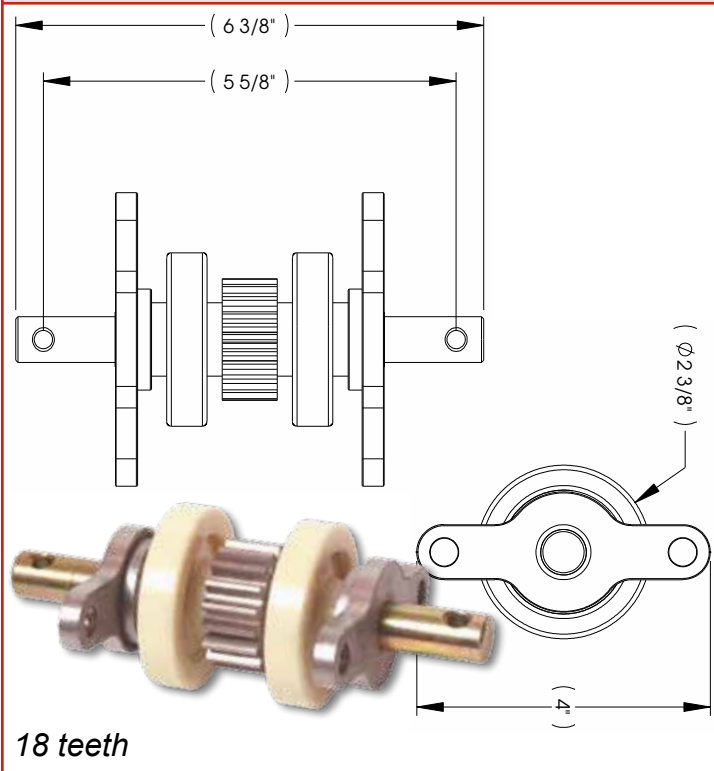


014-123356 - 2.5 x 2.5 Heavy Duty Gear Pack - Steel Rollers

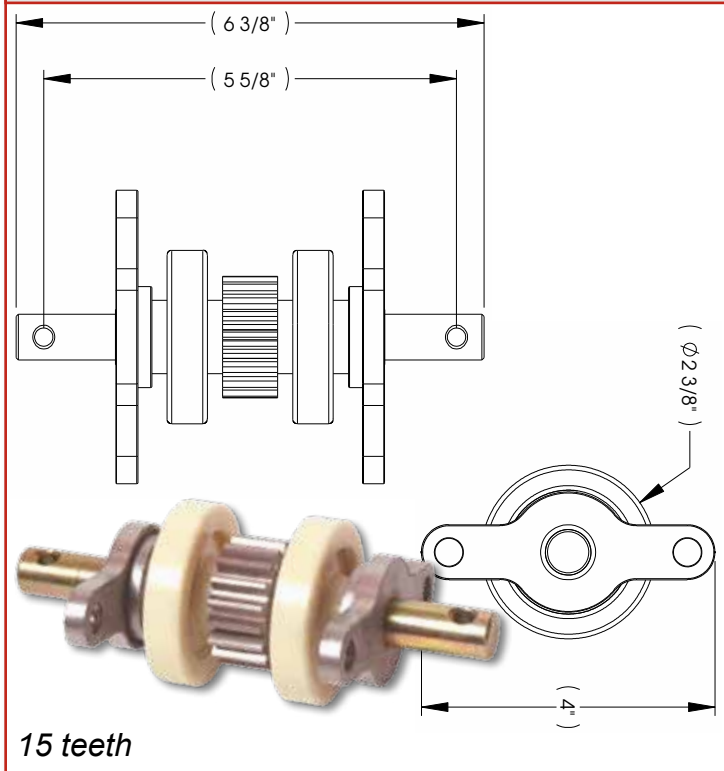


Slideout Parts

014-122837 - Standard Gear Pack - Nickel w/out-Roll Pins Assy



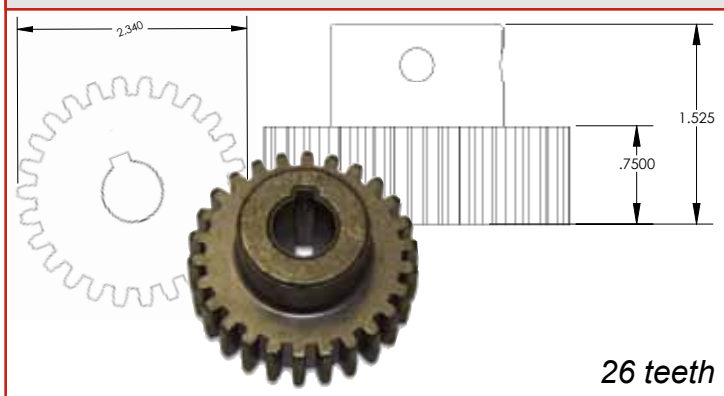
014-324869 - Standard Gear Pack - Nickel w/out Roll Pins Assy



014-191072 - 18:1 Venture Replacement Gear Set

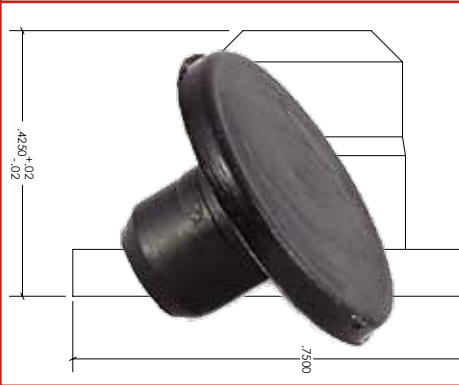


014-116658 - Crown Gear

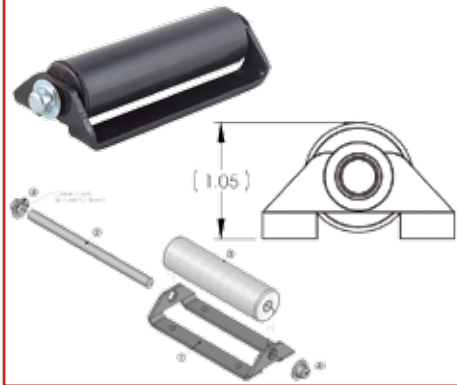


Slideout Parts

014-103480 - Plastic Wear Pad
(3/Ctn)



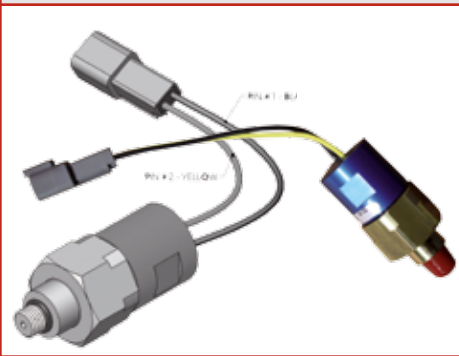
014-239114 - J32 Roller For
Scwintek In-Wall Slide-Out



014-122840 - Slide-Out Stop
Can Assembly



014-142927 - 2150 Pressure
Switch w/ Deutsch DT-04-
2P Connector



014-118353 - Bearing for AFSS
3/8-24x1.3750



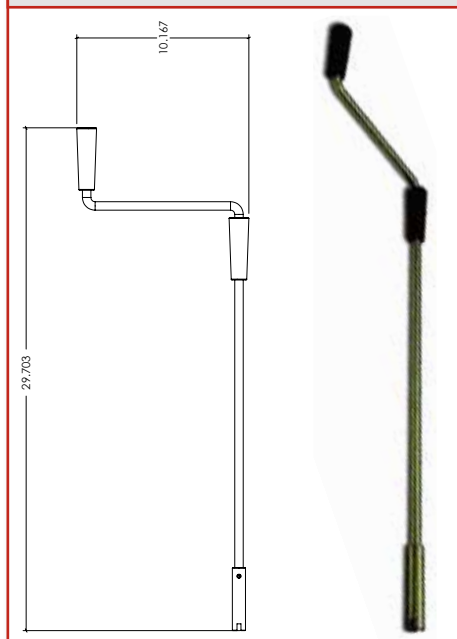
014-135666 - Controller
2.070x1.5 Part#10665



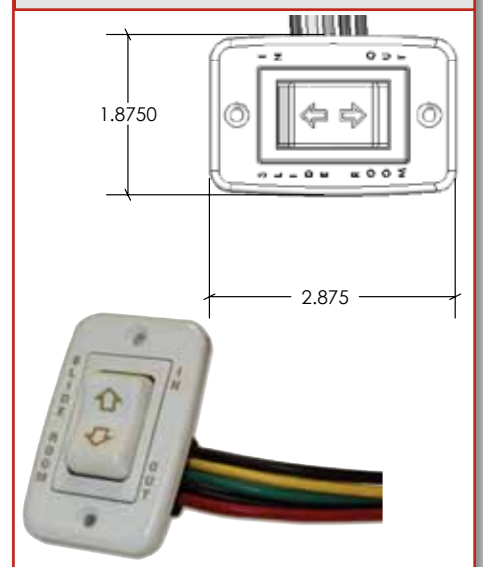
014-134629 - Triple Flexguard
Kit - 8" Post



014-119226 - Standard S/O &
Landing Gear Crank Handles



014-117461 - LCI Slideout
Switch Assembly *White*
014-117460 - LCI Slideout
Switch Assembly *Black*



Schwintek Slideout Parts

**014-287298 - Schwintek Motor, In-Wall;
High Torque, 500:1**



**014-211852 - Schwintek Controller In-Wall Slide
V-SYNC II**



**014-236575 - Schwintek Motor In-Wall;
IG-42, 10MM**



**014-276398 - Schwintek LCI Dual Motor
Synchronous Velocity Bed Controller**



Schwintek Hydraulic Interior Switch
014-120639 - White
014-225487 - Almond
014-225488 - Black



014-247768 - Schwintek Harness: In-Wall 15'
014-238991 - Schwintek Harness: In-Wall 25'



Economy Rubber Seals for Slide Out Rooms - Includes Wipers

Economical rubber base includes Bulb Seal and wiper. Comes with strong adhesive w/ release liner. Simply cut to length, remove release liner and apply pressure to adhere to side wall for a positive seal around your SlideOut Room.

Premium EK Seal for Slide Out Rooms - Includes Wipers

Advanced EK Series is the ultimate Slide Out Seal System. Can be used for new installations or when upgrading worn out rubber seals. Order in two parts. The EK Base comes with wiper and is designed with straight edge for easy alignment w/adhesive backing. Fasteners maybe used to install as well. D Seal, purchased separately, easily slides onto track in base, hides fasteners and provides a positive seal. EK Series may also be used on interior wall for protection when Slide Out Room is extended or when replacing a double seal.

Rubber Slide out Seal w/Wiper & Tape



018-314
White w/Hats (Red Tape)
5/8" x 1-15/16" x 35'

EK Seal Base w/Wiper To Be Used with D-Seal



018-314-BLK
EK Base w/1" wiper
Black w/Hats (Red Tape)
1/2" x 1-3/4"x35'
018-341
EK Base w/2" wiper
Black w/Hats (Red Tape)
1/2" x 2-3/4" x 35'
018-316
EK Base w/2-7/8" wiper
Black w/Hats (Red Tape)
1/2" x 3-2/3" x 35'



018-384
EK Base w/1-1/4" wiper
White w/Hats (Red Tape)
1/2" x 2" x 35'
018-426
EK Base w/2" wiper
White w/Hats (Red Tape)
1/2" x 2-3/4" x 35'
018-317
EK Base w/2-7/8" wiper
White w/Hats (Red Tape)
1/2" x 3-2/3" x 35'



018-2080-168
Double EKD Base w/2-3/8" wiper
Black 1-1/2" x 3-3/16" x 14'
018-2030-168
Double EKD Base w/2-3/8" wiper
Black 2" x 3-3/16" x 14'
018-2082-168
Double EKD Base w/2-3/4" wiper
Black 1-1/2" x 3-1/2" x 14'



018-2062-153
Double EKD Base
Black 1-1/4" x 1-3/4" x 12-3/4'
018-2062-96
Double EKD Base
Black 1-1/4" x 1-3/4" x 8'

018-1723
EK BASE w/ 1-1/4" wiper
w/Hats (Red Tape)
1/2" x 1-1/4" x 35'



018-188
EK "L" Wiper
Black w/Hats (Red Tape)
2-1/2" x 4/5" x 20'



018-2033
EK Channel
Black w/Hats (Red Tape)
7/8" x 1/4" x 50'



EK Seal D Seal To Be Used with Base



018-312-EKD
D Seal for EKD Base
Black 1" x 15/16" x 35'



018-184-EKD
D Seal for EKD Base
White 1" x 15/16" x 35'



018-522
D Seal for EKD Base
w/Fins
Black 1-1/2" x 1" x 40'



018-1065-EKD
D Seal for EKD Base
Grey 1" x 15/16" x 35'

018-350-EKD
D Seal for EKD Base
Black 1" x 15/16" x 50'



018-1069-EKD
D Seal w/Off Set Bulb
White 1-1/16" x 1/4" x 50'



018-2004
Modified EKD Seal
Black 1" x 1" x 50'



018-1681
Small EK Outer Seal
Black 9/10" x 11/16" x 100'

Other SlideOut Seals



018-478
Double Bulb w/Wiper
Black 2" x 2-1/4" x 28'

018-478-35
Double Bulb w/Wiper
Black 2" x 2-1/4" x 35'

018-479
Double Bulb w/Wiper
Black 2" x 3" x 28'



018-564
EPDM DBL Bulb Seal
w/ Tape
Black 1-1/2" x 1/2" x 50'



018-607
P Seal w/Tape
Black 2-1/2" x 7/8" x 100'



018-338- BLK
Slide in Secondary Seal
Black 13/16" x 11/16" x 30'



018-1138
Single Bulb w/Wiper
Black 1-1/8" x 2-1/8" x 35'



018-1470-84
1.375" EK Cap w/1.5" Wall Jamb
Black 4-3/8" x 2-5/8" x 7'



018-546
Clip On Wiper with 2" Wiper
Black 7/16" x 3" x 35'



018-668
Snap-In Seal with 2-7/8" Wiper
Black 4-1/8" x 23/32" x 35'

Seals for Doors, Windows and more...

These seals may be used in a variety of applications including Baggage Doors, Cargo Doors, Entrance Doors, around windows and any other area where it is desired to reduce or eliminate infiltration of noise, dust, moisture or vibration.

Non Ribbed D Seal w/Tape



018-224
Black w/PSA (White Tape)
1/2" x 3/8" x 50'



018-204
White w/PSA (White Tape)
1/2" x 3/8" x 50'



018-318
Black w/PSA (White Tape)
3/4" x 1/2" x 50'



018-663
Black w/Hats (Red Tape)
3/4" x 3/4" x 50'

Bulb Seal with Slide on Clip



018-088-BB
Single Bulb
Black 1" x 3/4" x 28'



018-742
Single Bulb
White 1" x 3/4" x 28'



018-181-BB
Slide Double Bulb
Black 1-1/2" x 3/4" x 28'

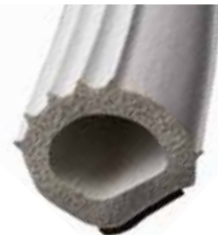


018-1509
Single Bulb
Black 3/4" x 7/16" x 28'

Ribbed D Seal w/Tape



018-023-PT
Foam D Seal w/PSA
(White Tape)
Black 1" x 1" x 50'



018-1097
Foam D Seal w/Hats
(Red Tape)
White 1" x 1" x 50'



018-1894
J Bulb
Black 1" x 3/4" x 28'



018-3009
Single Bulb
Black 15/16" x 1-1/2" x 43'



018-206
Foam D Seal w/Hats
(Red Tape)
Black 1" x 1" x 50'

Foam Seal w/Tape



018-821125
Low Density NEO/
EPDM/ With PSA
1" x 1-1/4" x 25'

018-523
Black w/PSA (White Tape)
5/8" x 3/8" x 50'
018-855
Black w/Rib
w/PSA (White Tape)
1/2" x 5/16" x 50'
018-664
Ribbed Seal
Black w/PSA (White Tape)
3/16" x 3/8" x 50'



Schwintek Bottom & Corners

Slide Out Seals to be Used When Either Repairing or Installing New Schwintek Slide. Bottom Panels Maybe Cut to Designed Length



018-1932-168
Bottom Pan Seal
w/Wiper
2" x 3" x 14'



018-1933-168
Bottom Pan Seal
w/Wiper
2-1/4" x 3" x 14'



018-1923-156
EK Pan Base w/1-5/8" Wiper
Black
1-1/3" x 1-5/8" x 13'



018-1161-RH
Corner-Block RH
Notched Black
4-1/2" x 2-1/2" x 2"



018-1161-LH
Corner-Block LH
Notched Black
4-1/2" x 2-1/2" x 2"



018-1998-RH
Corner-Block RH
Notched
4-1/2" x 2-1/2" x 3"



018-1998-LH
Corner-Block LH
Notched
4-1/2" x 2-1/2" x 3"

Trim Seal

018-3006
Clip On Trim Seal Black
018-667
Clip On Trim Seal White

OD 9/16" x 1/4" x 50'
ID 1/3" x 5/64" x 50'



Sewn In Clip

018-635-96
Poly Sewn In Clip (2 pack)
White
1-3/16" x 3/8" x 8'
018-635-216
Poly Sewn In Clip
White
1-3/16" x 3/8" x 18'



Weather Stripping

Quality Cap Tape and Weather Stripping products for use around windows, doors or any place where you are looking to quiet or prevent moisture, dirt and dust from entering. All products are individually packaged.



Thickness x Width x Length

018-181417	1/8"	x 1/4"	x 50'
018-3163810	3/16"	x 3/8"	x 10'
018-3163817	3/16"	x 3/8"	x 50'
018-3161210	3/16"	x 1/2"	x 10'
018-3163410	3/16"	x 3/4"	x 10'
018-143817	1/4"	x 3/8"	x 50'
018-5163810	5/16"	x 3/8"	x 10'
018-5163410	5/16"	x 3/4"	x 10'
018-516110	5/16"	x 1"	x 10'
018-381210	3/8"	x 1/2"	x 50'
018-383410	3/8"	x 3/4"	x 50'
018-5161250	5/16"	x 1/2"	x 50'
018-516150	5/16"	x 1"	x 50'
018-5163450	5/16"	x 3/4"	x 50'
018-5321250	5/32"	x 1/2"	x 50'
018-532150	5/32"	x 1"	x 50'
018-5323450	5/32"	x 3/4"	x 50'
018-5323850	5/32"	x 3/8"	x 50'
018-5325850	5/32"	x 5/8"	x 50'

Cap Tape

Grey Mylar backed PVC Foam Tape w/adhesive coating. Great for Truck Caps and other areas where a good seal against weather and dust is desired. Also great for quieting rattles and squeaks. Comes in Poly Bag and is available in a variety of widths.



018-316130	3/16" x 1"	x 30'	Grey
018-3161530	3/16" x 1-1/2"	x 30'	Grey
018-3162530	3/16" x 2-1/2"	x 30'	Grey
018-141125	1/4" x 1-1/2"	x 30'	Grey
018-1400125 B	1/4" x 1-1/2"	x 30'	Black
018-381530	3/8" x 1-1/2"	x 30'	Grey

RV Entrance Doors

- Available in Radius and Square
- Available in Polar White (PW) only
- Individually boxed
- Measurements below are rough opening
- All doors come with screen door matching color of frame extrusion and clear slide panel
- PW doors - have pebble interior and smooth exterior
- "RH" indicates that the hinges are on the right side when walking into the coach
- Frame thickness for both towable and motorized doors is 2-1/4"
- Radius doors have 4" radius corners



Custom size doors available, please call for quote.

Towable Entry Door - Radius: PW fiberglass skin, PW flush lock with deadbolt, 12 x 21 window w/ obscure glass and PW frame, all PW extrusion.

015-217708	24" x 68"	Radius Entrance Door	RH
015-206319	24" x 72"	Radius Entrance Door	RH
015-217709	26" x 72"	Radius Entrance Door	RH
015-217710	28" x 72"	Radius Entrance Door	RH
015-205998	30" x 72"	Radius Entrance Door	RH

Towable Entry Door - Square: PW fiberglass skin, PW flush lock with deadbolt, 12 x 21 window w/ obscure glass and PW frame, all PW extrusion.

015-217711	24" x 68"	Square Entrance Door	RH
015-217712	24" x 70"	Square Entrance Door	RH
015-217713	24" x 72"	Square Entrance Door	RH
015-217714	24" x 76"	Square Entrance Door	RH
015-217715	26" x 68"	Square Entrance Door	RH
015-217716	26" x 70"	Square Entrance Door	RH
015-217717	26" x 72"	Square Entrance Door	RH
015-217718	26" x 78"	Square Entrance Door	RH
015-217719	28" x 72"	Square Entrance Door	RH
015-217720	30" x 72"	Square Entrance Door	RH
015-217721	32" x 72"	Square Entrance Door	RH

Motorized Entry Door - Radius: PW fiberglass skin, Black Tri-Mark lock with deadbolt (meets FMVSS 206 requirements), 12 x 21 window w/obscure glass and black frame, all white extrusion.

015-247031	24" x 70"	Radius Entrance Door	RH
015-247231	24" x 72"	Radius Entrance Door	RH
015-267231	26" x 72"	Radius Entrance Door	RH

Door Replacement Trim

015-661	Screw Cover - 85" Rigid Plastic - Polar White
015-662	Door Screwcover - 85" - Off White
015-663	Door Screwcover - 85" - Black
015-2028911	Door Threshold - 92" - Mill Finish

Misc Door Replacement Parts

015-201471	Screen Latch Right
015-201472	Screen Latch Left
015-198295	Hinge Assembly 6 Leaf - White

Window Replacement Parts

015-2014742	Window Frame Inner & Outer w/Seal No Glass - White
015-2014762	Window Frame Inner & Outer w/Seal No Glass - Black
015-201495	Window Glass - Obscure 12-1/2" x 21-1/2"
015-201496	Window Glass - Tinted 12-1/2" x 21-1/2"

Slim Shade™ Also see page 6 in Hardware Catalog

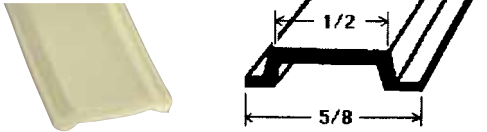
015-201512	Slim Shade™ Complete Unit
015-2014782	Slim Shade™ Window Frame Only - Black
015-201502	Slim Shade™ Replacement Shade Only - Black



Screw Covers / Trim

Flexible Plastic Insert Trim - 5/8"

Quality plastic insert for use on doors, trim molding and windows. Available in 1000 foot spools or handy 25 foot packages.



Part #	Description	Color
011-387	1000' Insert	Polar White
011-388	1000' Insert	Brown
011-389	1000' Insert	Black
011-390	1000' Insert	Colonial White
011-391	1000' Insert	Beige
011-348	100' Insert	Polar White
011-345	100' Insert	Brown
011-347	100' Insert	Black
011-346	100' Insert	Colonial White
011-343	100' Insert	Beige
011-401	50' Insert	Polar White
011-402	50' Insert	Brown
011-403	50' Insert	Black
011-404	50' Insert	Colonial White
011-405	50' Insert	Beige
011-370	25' Insert	Polar White
011-366	25' Insert	Brown
011-367	25' Insert	Black
011-368	25' Insert	Colonial White
011-369	25' Insert	Beige

Quality Plastic Insert Trim - 7/8"

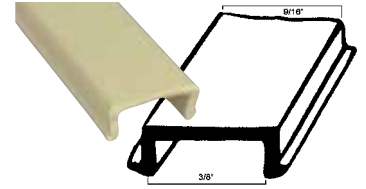
Quality plastic insert for use on doors, trim molding and windows. Available in 750 foot spools or handy 25 foot packages.



Part #	Description	Color
011-382	750' Insert	Polar White
011-383	750' Insert	Brown
011-384	750' Insert	Black
011-385	750' Insert	Colonial White
011-386	750' Insert	Beige
011-372	100' Insert	Polar White
011-375	100' Insert	Brown
011-374	100' Insert	Black
011-373	100' Insert	Colonial White
011-371	100' Insert	Beige
011-376	50' Insert	Polar White
011-377	50' Insert	Brown
011-378	50' Insert	Black
011-379	50' Insert	Colonial White
011-380	50' Insert	Beige
011-349	25' Insert	Polar White
011-350	25' Insert	Brown
011-351	25' Insert	Black
011-352	25' Insert	Colonial White

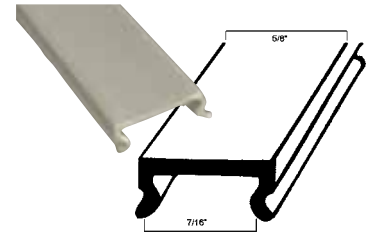
Elixir Screw Cover

Part #	Description	Color
011-354	8' Screw Cover	Colonial White
011-355	8' Screw Cover	Black
011-356	8' Screw Cover	Brown
011-357	8' Screw Cover	Polar White



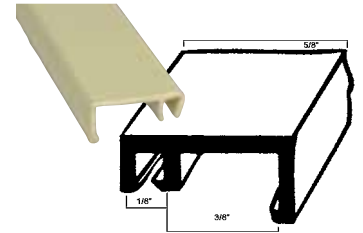
Philips Screw Cover

Part #	Description	Color
011-358	8' Screw Cover	Colonial White
011-359	8' Screw Cover	Black
011-360	8' Screw Cover	Brown
011-361	8' Screw Cover	Polar White



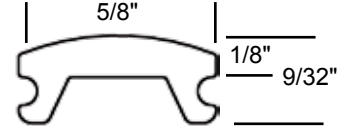
Hehr Screw Cover

Part #	Description	Color
011-362	8' Screw Cover	Colonial White
011-363	8' Screw Cover	Black
011-364	8' Screw Cover	Brown
011-365	8' Screw Cover	Polar White



Flexible PVC Screw Cover - 5/8"

Part #	Description	Color
011-103	600'	White



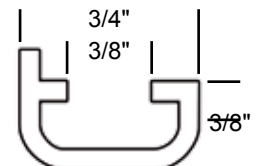
Flexible Screw Cover - 3/4"

Part #	Description	Color
011-398	50' Insert	Polar White
011-399	50' Insert	Black
011-400	500' Insert	Polar White



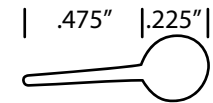
Insert Molding Trim - 3/4"

Part #	Description	Color
011-444	200'	Polar White



Vinyl Gimp Trailer Welt

Part #	Description	Color
011-381	750' Spool	Light Brown
011-397	750' Spool	White



RV Vinyl Insert for Trim Molding

3/4"x 25' Insert	3/4" x 1800' Insert	1" x 50' Insert	1" x 1000' Insert
011-315 Tan	011-392 Tan	011-329 White	011-311 White
011-316 White	011-393 White	011-330 Black	011-312 Black
011-317 Black	011-394 Black	011-331 Colonial White	011-313 Colonial White
011-318 Colonial White	011-395 Colonial White	1" x 100' Insert	White
3/4"x 100' Insert	011-396 Walnut	011-306 White	011-314 Walnut
011-319 Tan	011-341 Dark Gray	011-307 Black	011-338 Dark Gray
011-320 White	1" x 25' Insert		
011-321 Black	011-301 White		
011-322 Colonial White	011-302 Black		
011-334 Walnut			
011-340 Dark Gray			



LITECO Products

Europa Sng Blk w/Chrome Globe

Part No.
005-06001059

Quantity
20/ctn



**Ctsy w/Mount
Repl Bult 1895 R**

Part No.
005-068WMT

Quantity
50/ctn



Dome Lt Grey Frame Clr Lens R

Part No.
005-193

Quantity
40/ctn



AC Unitek Double R/V

Part No.
005-826L

Quantity
48/ctn



Ctsy Light No Mount

Part No.
005-068NM

Quantity
50/ctn



Ctsy Black

Part No.
005-168-02

Quantity
50/ctn



Autotek Aircraft Light Single Black

Part No.
005-725-02-2

Quantity
1/ctn



Replacement Straight Handle

Overall Length 12" : Width 1"

Part No.
005-E5300-D

Quantity: Bulk



Lighted Assist Handle - Curved Overall Length - 21"

Top screw to bottom screw - 18-7/8"
Handle - 11-1/2"
Brackets: Sm. - 4"; Lg. - 8-1/4"
Between screw holes: Sm. - 3-1/2"
Lg. - 6-3/8"

Part No.
005-5500-L

Quantity
1/ctn



Dome Light Flush Mnt W/G R/V

Part No.
005-257S

Quantity
40/ctn



Replacement Curved Handle

Overall Length 11-1/2" : Width 1"

Part No.
005-E5000-D

Quantity: Bulk



Lighted Assist Handle - Straight (927) Overall Length - 17 1/2"

Top screw to bottom screw - 16-1/2"
Handle - 12"
Bracket - 4"
Between screw holes - 3-1/2"

Part No.
005-5300-L

Quantity
1/ctn



LITECO Products**Peanut Light w.194 Bulb**Part No.
005-128Quantity
10/ctn**Bulb Co-Pilot #1816 Peng copilet .33amps**Part No.
005-10013Quantity
10/ctn**Bulb Hlgn 12V 10W (1651-H)**Part No.
005-30655010Quantity
10/ctn**2-Bulb Slimline Incandescent Light w/ Dual Switch**Part No.
005-18543936Quantity
1/ctn**Brushed Nickel Aurora Directional Lights-Black Switch**Part No.
005-04010040Quantity
1/ctn**White Oval Courtesy Light**Part No.
005-24077-64Quantity
1/ctn**Strap Small w/insert Black**Part No.
005-01180071Quantity
25/ctn**Stargazer Dbl w/168 Bulb**Part No.
005-06002001Quantity
48/ctn**Co Pilot w/18" Flexible Shaft**Part No.
005-03001150Quantity
20/ctn**Europa Dbl Blk w/Blk Globes**

6" x 2-7/8" x 2-1/4"

Part No.
005-06001037Quantity
20/ctn**Europa Sng Blk w/Blk Globe**Part No.
005-06001048Quantity
20/ctn**AC Autotek Double Blk-2 Way V**Part No.
005-726-02-2Quantity
100/ctn

Surface Shields®



Carpet Shield® Self-adhesive Film

Carpet Shield is a clear, self-adhering protective film for all types of carpeting. Carpet Shield's non-slip surface is a special blend of polyethylene which is highly resistant to tears or punctures. This product is ideal during remodeling, painting and moving. It also minimizes clean-up time and damage claims. Carpet Shield is available in a variety of sizes.



- 022-CS2130W** 21" x 30' Counter/Shelf Display – 12 Pack
- 022-CS12200** 12" x 200' Reverse Wound
- 022-CS18200** 18" x 200' Reverse Wound
- 022-CS18600** 18" x 600' Reverse Wound
- 022-CS181000** 18" x 1000' Reverse Wound
- 022-CS21200** 21" x 200' Reverse Wound
- 022-CS211000** 21" x 1000' Reverse Wound
- 022-CS24200L** 24" x 200' Reverse Wound
- 022-CS241000** 24" x 1000' Reverse Wound
- 022-CSS21200RV** 21" x 200' RV Carpet Shield, Reverse Wound
- 022-CSS211000RV** 21" x 1000' RV Carpet Shield, Reverse Wound

Double Polish Protection Film

Double Polish is a clear 8 mil PVC film that is both strong and durable. Designed to provide long-term carpet protection during transportation, storage or display of RV's and manufactured homes.



- 022-DPC35150** 35" x 150' Clear Film

Multi Surface Protection Film

Multi Surface Protection Film is a durable, self-adhering protective film for hard surfaces such as tile, marble, granite, vinyl, VCT, laminates and factory finished hardwood. It's not only great for floor protection, but it can be used to prevent damage to most counter tops, tubs, sinks, doors and more! Multi Surface Protection Film is ideal for remodeling, painting, moving, model home tours and parties. It is a true multipurpose product!



- 022-FS24200L** 24" x 200' Reverse Wound
- 022-FS24500** 24" x 500' Reverse Wound

Green
Green

Step N Peel™

Step N Peel™ Clean Mats are polyethylene film mats with a tacky surface to remove dust and dirt from footwear. This unique product features a sturdy, reusable platform constructed of rigid polystyrene, available with a nonskid backing that holds it securely to surfaces such as carpeting, tile, concrete and more.

- Polyethylene film mat with tacky surface
- Designed to remove dirt from footwear
- 30 tabbed sheets for easy removal
- Sturdy, reusable board for any surface
- Nonskid backing holds securely to floor



- 022-DG30W**
- 022-DGRCM**

25.5"x31.5" Clear on White Frame - 30 Layer
24"x30" Clear Refill Pad - 30 Layer

Surface Shields®

Shoe Covers
Dirt and Scuff Protection

Protect flooring and footwear with Surface Shields brand shoe covers. Available in three different materials, these shoe covers provide protection at most jobsites. The plastic shoe covers are great for outside use and the cloth are perfect to protect flooring from dirt, scuffs and skids. The polyethylene coated shoe covers are skid resistant and waterproof.



- 022-SC3001PB** Cloth Covers - 10 Pair Retail Pk. *Blue*
- 022-SC300** Cloth Covers - 100 Pair Bulk Pk. *Blue*

Scrim Shield™

- Bottom board repair tape
- Permanent and waterproof
- Woven polyethylene fabric, solid-coated with aggressive adhesive
- Can be applied in below freezing conditions
- Use for repairing or seaming bottom board, tarps and house wrap

- 022-BP4180** 4in x 60yds (101mm x 54.8m) *Black*
- 022-BP6180** 6in x 60yds (152mm x 54.8m) *Black*
- 022-BP2825** 28in x 25ft (711mm x 7.62m) *Black*
- 022-BB1470** 14ft x 70ft (non-adhesive) *Black*



022-BB1470

Painter's Grade Blue Tape

- Medium tack, rubber adhesive
- Residue free
- Suitable for 14 day clean removal

- 022-BT34180** .75in x 60yds (18mm x 54.8m) *Blue*
- 022-BT1180** 1in x 60yds (24mm x 54.8m) *Blue*
- 022-BT15180** 1.5in x 60yds (36mm x 54.8m) *Blue*
- 022-BT2180** 2in x 60yds (48mm x 54.8m) *Blue*



Silver Foil Tape

- Used for vapor barrier protection, waterproof sealing, heat reflection & dissipation, masking in paint stripping and electroplating
- Malleable foil conforms well to irregular and curved surfaces
- Performs well at both low and elevated temperatures
- Can be applied at low temps

- 022-AFT322** 2in x 150ft (48mm x 50yds) *Silver*



Utility Grade Duct Tape

- Versatile polyethylene coated cloth tape
- High tack adhesive bond
- Easy tear cloth tape

- 022-DUG48S** 2in x 60yds (48mm x 54.8m) *Silver*
- 022-DUG48B** 2in x 60yds (48mm x 54.8m) *Black*



Close Up Tapes

- White conformable polyethylene film single coated with an aggressive, low residue natural rubber pressure sensitive adhesive formulation
- Use for splicing, seaming, patching and holding of poly sheeting such as close off poly films, floor protective poly films and air barrier house wrap films

- 022-1362** 2in x 108ft *White*
- 022-1364** 4in x 180ft *White*



Sika

SikaSil GP

SikaSil silicone is an acetoxycuring low modulus sealant used for general seam sealing in interior and exterior applications. It has excellent adhesion to metals, glass, plastic & fiberglass. SikaSil GP has excellent weather stability, is solvent free and is mold & mildew resistant. Highly UV Resistant.

AP Par#	Description
017-189150	SikaSil GP Clear Silicone 295 ML cart
017-189151	SikaSil GP White Silicone 295 ML cart



Sikasil® WS-290

Sikasil® WS-290 is a one-part, neutral-curing, low-modulus silicone sealant that cures to a durable, flexible building sealant. Sikasil® WS-290 performs exceptionally well under dynamic conditions due to its low modulus, high extension/compression, recovery properties and strong adhesion to most building materials. Sikasil® WS-290 accommodates long-term movement of +100-50% in properly designed joints and is particularly well suited for use in exterior Insulation. UV Resistant

AP Par#	Description
017-412128	SikaSil WS-290 Low mod Black 295 ML cart
017-412302	SikaSil WS-290 Low mod Limestone 295 ML cart
017-412301	SikaSil WS-290 Low mod Med Bronze 295 ML cart
017-412300	SikaSil WS-290 Low mod Bronze 295 ML cart
017-412304	SikaSil WS-290 Low mod Colonial White 295 ML cart



Sikasil® N- Plus

Sikasil® N-Plus Sikasil®-N Plus US is a general purpose, neutral cure silicone sealant used for interior and exterior applications. It delivers excellent adhesion to most substrates without surface treatments. Sikasil® N-Plus is highly UV resistant with excellent weather stability and is mold and mildew resistant. Sikasil N-Plus offers excellent sealing joint flexibility for dynamic moving parts. Elongation of 430%, 300 psi tensile strength and 30 minute tack free time.

AP Part#	Description
017-412406	SikaSil N Plus Clear 295 ML cart
017-415697	SikaSil N Plus Aluminum Gray 295 ML cart
017-412136	SikaSil N Plus White 295 ML cart



Sika Multiseal Plus

Sika MultiSeal Plus is a self-adhering, multi-purpose roofing repair tape that, combines an advanced copolymer mastic that exhibits aggressive adhesion with a flexible, non-release, tear proof, UV resistant TPO membrane to create a fast, easy to apply, permanent watertight seal. Sika MultiSeal Plus bonds to a wide range of surfaces including challenging roof materials. The flexible non-release membrane allows the product to adhere to itself so that it can be stretched, cut and folded around intricately shaped roofing accessories to stop water penetration



AP Part#	Description	Color
017-413832	2" x 50' Roll	White Membrane
017-413830	3" x 50' Roll	White Membrane
017-413828	4" x 50' Roll	White Membrane
017-404033	6" x 50' Roll	White Membrane
017-413827	2" x 50' Roll	Gray Membrane
017-413831	3" x 50' Roll	Gray Membrane
017-413829	4" x 50' Roll	Gray Membrane
017-404096	6" x 50' Roll	Black Membrane
017-413828-5	4" x 5' Roll	White Membrane
017-413828-25	4" x 25' Roll	White Membrane

Sika®-Aktivator/Cleaner 205

Sika®-Aktivator/Cleaner 205 is a special adhesion promoting solution for the pretreatment of bonding surfaces prior to bonding or sealing with Sikaflex® products. Sika®-Aktivator/Cleaner 205 improves adhesion and gives a more weather-resistant bond or seal on a variety of substrates, particularly: metals, many plastics, many types of paints and lacquer finishes.

AP Part#	Description
017-108616	Sika Aktivator/Cleaner 205 250 ML Bottle



Sikaflex®-201

Sikaflex® -201 US is a one component moisture curing polyurethane with great elasticity. This flexible all purpose sealant is formulated for applications that require significant joint movement. It has a two to four hour tack free time allowing ample tooling time for large jobs. Sikaflex® -201 US is weather resistant, sandable and paintable; it is non-sagging, flexible, durable and non-staining.

AP Part#	Description
017-90852	Sikaflex 201 White 300 ML cart
017-108220	Sikaflex 201 Tan 300 ML cart



Sikaflex®-221

Sikaflex® -221 is the most well known brand of one component polyurethane sealant/adhesive in the world. Our workhorse. This fast curing product provides permanent elastic adhesion to a number of surfaces with excellent cut and tear resistance. Considered by many to be the ultimate choice in truck, trailer, RV and bus manufacturing. Designed to resist the shock and abuse encountered over countless road miles, Sikaflex® -221 will maintain its strength and adhesion over the long haul. Sikaflex® -221 is weather resistant, sandable, paintable and NSF approved for potable water and incidental food contact.

AP Part#	Description
017-90892	Sikaflex 221 Alum Gray 300 ML cart
017-90893	Sikaflex 221 Black 300 ML cart
017-106449	Sikaflex 221 Colonial White 300 ML cart
017-90891	Sikaflex 221 White 300 ML cart



Sikaflex®-252

The original elastic bonding adhesive, Sikaflex®-252 offers great adhesive strength coupled with elasticity. This combination bonds and seals at the same time, offers excellent gap filling capabilities and compensates for loose tolerances in the building process. Strong enough to sharply reduce or even completely eliminate traditional fastening systems such as welds, rivets, screw and bolts. Excellent Green Strength means reduced clamping time. Bonds to a wide variety of substrates. Some surface prep is generally recommended. Sandable, paintable and NSF approved for incidental food contact.

AP Part#	Description
017-90915	Sikaflex 252 White 10.5 oz cart
017-90916	Sikaflex 252 Black 10.5 oz cart



Sikaflex®-291

Sikaflex® -291 is a 1-component, polyurethane elastomeric adhesive and sealant. Its fast cure time makes it ideal for applications where speed is important. It has excellent adhesion to gelcoat, fiberglass, metal and wood. It may be squeezed or brushed in place. Sikaflex® -291 can be overpainted after the product is tack-free and can be sanded after full cure.

AP Part#	Description
017-90919	Sikaflex 291 White 300 ML cart
017-90923	Sikaflex 291 Black 300 ML cart



Sikaflex®-505 UV HV

Sikaflex®-505 UV HV is a one-component silane terminated polymer (STP) sealant containing no solvents or isocyanates with excellent UV and weathering resistance. Sikaflex-505 UV HV offers 60 minute tack free time with excellent adhesion to a wide variety of substrates with little or no surface treatment, has excellent tooling characteristics and non-yellowing.

AP Part#	Description
017-415763	Sikaflex 505 UV HV White 300 ML cart



Sikaflex®-715

Sika® has dedicated considerable resources in developing a roof sealant for EPDM roof membrane. The result is a novel solution in RV roof sealing! Sikaflex®-715, is a cross-linking “chemical curing flexible, elastic, and durable roof sealant”. This curing process imparts a highly elastic internal strength not found in traditional RV roof sealant products. Sikaflex-715 will bond to a variety of roofing component substrates. Unlike other roofing sealants, Sikaflex®-715 has very low VOC's and won't crack under the most extreme conditions! Traditional roof sealants have high shrink characteristics and crack when exposed to the environment. Sikaflex®-715 provides peace of mind!

AP Part#	Description
017-187690	Sikaflex 715 Roof Sealant 300 ML cart



STA'-PUT

STA'-PUT Spray Adhesive (SPM)

The superior bond strength properties and exceptional tack makes SPM an excellent choice for most permanent or temporary adhesive applications. SPM is resistant to water, combines exceptional tack with high shear strength, is fast drying and has a long working time, making the product ideal for a wide variety of applications.

STA'-PUT SPM was designed to be used as a multi-purpose product. The pressure sensitive qualities make this product suitable for a variety of applications within the general construction, manufactured housing, RV, aviation, marine, HVAC, textile, and upholstery industries. It can be used on porous and many non-porous surfaces. (Formerly Green Can)

The ideal application temperature for STA'-PUT is 70°F/38°C.

Part#	Description	Quantity
001-SPM16ACC	STA'-PUT Spray Adhesive	16 oz.



STA'-PUT Spray Adhesive for Polystyrene Foam (SPII)

STA'-PUT SPII is a pressure sensitive adhesive specifically formulated for bonding expanded polystyrene foam (EPS) to itself and other materials. Superior bond strength properties and exceptional tack makes STA'-PUT SPII an excellent choice for most temporary and permanent EPS applications. SPII provides high shear strength, heat/ UV stability, water resistance, fast drying and a long working time.

STA'-PUT SPII was specifically designed for bonding expanded polystyrene (EPS) to itself or to various substrates. The adhesive's pressure and bonding properties make the product suitable for a variety of applications within the manufactured housing, RV, marine, refrigeration, and general construction industries. SPII can also be used for exhibit displays, theater scenery, and various crafts. It can be used on porous and many non-porous surfaces. (Formerly Blue Can)

The ideal application temperature for STA'-PUT is 70°F/38°C.

Part#	Description	Quantity
001-SP213ACC	STA'-PUT Spray Adhesive for Polystyrene Foam	13 oz.



STA'-PUT Adhesive Remover (SPR)

STA'-PUT S203 is a biodegradable, natural solvent cleaner, degreaser and adhesive remover. It can be used safely on most surfaces and substrates, including painted surfaces, glass, porcelain, concrete, many plastics and vinyl. S203 can be used to remove adhesives, grease, oil stains, road tar, rubber marks, and many others. S203 has a pleasant citrus scent. (Formerly Orange Can)

The ideal application temperature for STA'-PUT is 70°F/38°C.

Part#	Description	Quantity
001-S203	STA'-PUT S203 Clear	14 oz.



STA'-PUT Spray Adhesive Clear (SPH)

The superior bond strength properties and exceptional tack makes SPH an excellent choice for most permanent adhesive applications. SPH has high shear strength, heat/ UV stability, water resistance, fast drying and a long working time.

STA'-PUT SPH was specifically designed for bonding high-pressure laminate to various substrates. The adhesive's pressure sensitive qualities make the product suitable for a variety of industrial applications including; manufactured housing, general construction, RV, marine, woodworking, furniture, textile, HVAC, and the upholstery industries. It can be used on porous and many non-porous surfaces. (Formerly Red Can)

The ideal application temperature for STA'-PUT is 70°F/38°C.

Part#	Description	Quantity
001-SPH15ACC	STA'-PUT Spray Adhesive Clear	15 oz.



Spray Paint

Dap Touch 'N Tone



003-55273



003-55274



003-55275



003-55281



003-55285



003-51110



003-51103



003-51107

Part#	Description	Color	Qty
003-55273	10 oz Sprays	Aluminum	6
003-55274	10 oz Sprays	Gloss White	6
003-55275	10 oz Sprays	Flat Black	6
003-55276	10 oz Sprays	Gloss Black	6
003-55277	10 oz Sprays	Leather Brown	6
003-55279	10 oz Sprays	Primer Gray	6
003-55280	10 oz Sprays	Flat White	6
003-55281	10 oz Sprays	Antique White	6
003-55285	10 oz Sprays	Almond	6
003-55286	10 oz Sprays	Clear Acrylic	6
003-55288	10 oz Sprays	Dove Gray	6

Spray 'N Go Fast Dry Decorative Enamel

Part#	Description	Color	Qty
003-51103	12 oz Sprays	Gloss White	6
003-51104	12 oz Sprays	Gloss Black	6
003-51110	12 oz Sprays	Flat Black	6
003-51124	12 oz Sprays	Beige	6
003-51127	12 oz Sprays	Gray Primer	6

Tools

Hand Nut Drivers



- 009-ND1/4** 1/4 Drive 6-1/2" Long with Large Handle (Not Carded)
- 009-ND1/4C** 1/4 Drive 6-1/2" Long with Large Handle (Carded)
- 009-NDL1/4** 1/4 Drive 9-1/2" Long with Large Handle (Not Carded)
- 009-NDL1/4C** 1/4 Drive 9-1/2" Long with Large Handle (Carded)
- 009-ND5/16** 5/16 Drive 6-1/2" Long with Large Handle (Not Carded)
- 009-ND5/16C** 5/16 Drive 6-1/2" Long with Large Handle (Carded)
- 009-ND3/8** 3/8 Drive 6-1/2" Long with Large Handle (Not Carded)
- 009-ND3/8C** 3/8 Drive 6-1/2" Long with Large Handle (Carded)

Combination Screwdrivers



- 009-4-IN1CRC** 7-1/2 O.A.L. 5/16 Drive, #1 & #2 Square, 5/16 Drive 5/32 & 3/16 Clutch (Carded)
- 009-4-IN1PRC** 7-1/2 O.A.L. 5/16 Drive, #1 & #2 Phillips, 5/16 Drive #1 & #2 Square (Carded)
- 009-4IN-1PSR** 7-1/2 O.A.L. 5/16 Drive, #1 Phil & 3/16 Slot, 5/16 Drive #1 & #2 Square (Not Carded)
- 009-6IN-1C** 7-1/2 O.A.L. 1/4 Drive, #1 & #2 Phil, 5/16 Drive 3/16 & 5/16 Slot (Carded)
- 009-6IN-1PRC** 7-1/2 O.A.L. 1/4 Drive, #1 & #2 Phil, #1 & #2 Square (Carded)
- 009-PC2-IN-1C** 4-3/4 O.A.L. 3/16 Drive, #1 Phil & 3/16 Slot, with Pocket Clip (Carded)

Square Recess Screwdrivers



- 009-HDQB0** #0 Point Standard Model (Not Carded)
- 009-HDQB0C** #0 Point Standard Model (Carded)
- 009-HDQB1** #1 Drive Standard Model (Not Carded)
- 009-HDQB1C** #1 Drive Standard Model (Carded)
- 009-HDQB2** #2 Drive Standard Model (Not Carded)
- 009-HDQB2C** #2 Drive Standard Model (Carded)
- 009-HDQB3** #3 Drive Standard Model (Not Carded)
- 009-HDQB3C** #3 Drive Standard Model (Carded)
- 009-HDQB2L** #2 Drive Large Handle (Not Carded)
- 009-HDQB2LC** #2 Drive Large Handle (Carded)
- 009-QD1** #1 Drive Economy Model (Not Carded)
- 009-QD1C** #1 Drive Economy Model (Carded)
- 009-QD2** #2 Drive Economy Model (Not Carded)
- 009-QD2C** #2 Drive Economy Model (Carded)

Torx Screwdrivers



- 009-HDT15** #15 Drive Plastic Handle (Not Carded)
- 009-HDT15C** #15 Drive Plastic Handle (Carded)
- 009-HDT20** #20 Drive Plastic Handle (Not Carded)
- 009-HDT20C** #20 Drive Plastic Handle (Carded)

Clutch Screwdrivers



- 009-C3** 5/32 Drive Plastic Handle (Not Carded)
- 009-C3C** 5/32 Drive Plastic Handle (Carded)
- 009-C4** 3/16 Drive Plastic Handle (Not Carded)
- 009-C4C** 3/16 Drive Plastic Handle (Carded)

16-In-1 Screwdriver



- 009-16-IN-1** #0 & #1 Phillips, #2 & #3 Phillips, 3/16 & 1/4 Slotted, 5/32 & 7/32 Slotted, #0 & #1 Square, #2 & #3 Square, #10 & #15 Torx, #20 & #25 Torx (Carded)

Tools

Magnetic Screwdrivers



- 009-M5 IN 1 LTC** Aluminum 8" O.A.L. 000T10 Torx, 000T15 Torx, 000T20 Torx, 000T25 Torx, and 000T30 Torx (Carded)
- 009-M5IN1PST** Aluminum 8" O.A.L. 5/16 Nut Setter, 1/4 Nut Setter, #1 & #2 Phillips, #4 & #8 Slotted (Not Carded)
- 009-M5IN1PSTC** Aluminum 8" O.A.L. 5/16 Nut Setter, 1/4 Nut Setter, #1 & #2 Phillips, #4 & #8 Slotted (Carded)
- 009-M6 IN 1 MC** Aluminum 8" O.A.L. 250SS6 Slot, 250SS8 Slot, 4P1 & 4P2 & 4P3 Phil, 000F2 Frearson (Carded)
- 009-RVM5IN1AB** Aluminum 8" O.A.L. 250SS8 Slot, 4P2 Phil, 250 RI Square, 250R2 Square, & 000C3 Clutch (Not Carded)
- 009-RVM5IN1AC** Aluminum 8" O.A.L. 250SS8 Slot, 4P2 Phil, 250R1 Square, 250R2 Square, and 000C3 Clutch (Carded)
- 009-RVM5IN1SSB** Stainless 8" O.A.L. 250SS8 Slot, 4P2 Phil, 250R1 Square, 250R2 Square, and 000C3 Clutch (Not Carded)
- 009-RVM5IN1SSC** Stainless 8" O.A.L. 250SS8 Slot, 4P2 Phil, 250R1 Square, 250R2 Square, and 000C3 Clutch (Carded)
- 009-RVM51BSC** Replacement Bits For RVM5IN1 250SS8 Slot, 4P2 Phil, 250R1 Square, 250R2 Square, and 000C3 Clutch

Screwdriver Kits



- 009-TT9** Includes: ND1/4 Hand Nut Driver, 4-IN-1 Combination Screwdriver, 4-IN-1CR Combination Screwdriver, SA37W Awl (Bagged)
- 009-4SDS** Includes: ND1/4 Hand Nut Driver, 4-IN-1 Combination Screwdriver, CS Clutch Screwdriver, HDQB2 Square Recess Screwdriver (Bagged)
- 009-RV9SDSC** Includes: 250R1 & 250R2 Square Recess Bits, 250SS8 Slotted Bit, 4P1 & 4P2 Phillips Bit, 000C3 Clutch Bit, MSHS1/4 & MSHS 5/16 Mag. Nut Setters, MBH1/4 Magnetic Bit Holder, PBH7 Plastic Bit Holder (Carded)
- 009-AC8SDSC** Includes: 250SS4 & 250SS6 & 250SS8 Slotted Bits, 4P1 & 4P2 & 4P3 Phillips Bit, MSHS1/4 Mag. Nut Setters, MBH1/4 Magnetic Bit Holder, PBH7 Plastic Bit Holder (Carded)

Pipe Cutters



- 009-MPC1** For use on 1/8" - 5/8" Copper, Brass, or Aluminum Tubing (Not Carded)
- 009-PC2** For use on 1/8" - 1-1/8" Copper, Brass, or Aluminum Tubing (Not Carded)

Flaring Tools



- 009-TFT3** For 3/16" - 5/8" O.D. Tubing (Not Carded)

Aluminum/Aluminum Blind Rivets



- 009-AA42D100** 1/8 Rivet Diam, 1/8 Grip Range, 100/box
- 009-AA44D100** 1/8 Rivet Diam, 1/4 Grip Range, 100/box
- 009-AA46D100** 1/8 Rivet Diam, 3/8 Grip Range, 100/box
- 009-AA48D100** 1/8 Rivet Diam, 1/2 Grip Range, 100/box
- 009-AA64D100** 3/16 Rivet Diam, 1/4 Grip Range, 100/box
- 009-AA66D100** 3/16 Rivet Diam, 3/8 Grip Range, 100/box
- 009-AA68D100** 3/16 Rivet Diam, 1/2 Grip Range, 100/box

Slotted And Phillips Bits

Phillips Power Bits

Part#	Description
009-42P1	1/4 X 2" Drive by Lgth, #1 (Not Carded)
009-42P1C	1/4 X 2" Drive by Lgth, #1 (Carded)
009-42P2	1/4 X 2" Drive by Lgth, #2 (Not Carded)
009-42P2C	1/4 X 2" Drive by Lgth, #2 (Carded)
009-42P2-50	1/4 X 2" Drive by Lgth, #2 (100 Piece Box)
009-42P3	1/4 X 2" Drive by Lgth, #3 (Not Carded)
009-42P3C	1/4 X 2" Drive by Lgth, #3 (Carded)
009-43P1	1/4 X 2-3/4" Drive by Lgth, #1 (Not Carded)
009-43P2	1/4 X 2-3/4" Drive by Lgth, #2 (Not Carded)
009-43P2C	1/4 X 2-3/4" Drive by Lgth, #2 (Carded)
009-43P3	1/4 X 2-3/4" Drive by Lgth, #3 (Not Carded)
009-43P3C	1/4 X 2-3/4" Drive by Lgth, #3 (Carded)
009-46P1	1/4 X 6" Drive by Lgth, #1 (Not Carded)
009-46P2	1/4 X 6" Drive by Lgth, #2 (Not Carded)
009-46P2C	1/4 X 6" Drive by Lgth, #2 (Carded)



Phillips Insert Bits

Part#	Description
009-4P1	1/4 X 1" Drive by Lgth, #1 (Not Carded)
009-4P1C	1/4 X 1" Drive by Lgth, #1 (Carded)
009-4P2	1/4 X 1" Drive by Lgth, #2 (Not Carded)
009-4P2C	1/4 X 1" Drive by Lgth, #2 (Carded)
009-4P2-100	1/4 X 1" Drive by Lgth, #2 (100 Piece Box)
009-4P3	1/4 X 1" Drive by Lgth, #3 (Not Carded)
009-4P3C	1/4 X 1" Drive by Lgth, #3 (Carded)
009-4P3C	1/4 X 2-3/4" Drive by Lgth, #1 (Not Carded)



Slotted Power Bits

Part#	Description
009-20-6S	1/4 X 1-15/16" Drive by Lgth, 5F-6R (Not carded)
009-20-7S	1/4 X 1-15/16" Drive by Lgth, 6F-7R (Not carded)
009-20-7SC	1/4 X 1-15/16" Drive by Lgth, 6F-7R (Carded)
009-20-8S	1/4 X 1-15/16" Drive by Lgth, 8F-10R (Not carded)



Slotted Insert Bits

Part#	Description
009-250SS4	1/4 X 1" Drive by Lgth, 4F-5R (Not carded)
009-250SS4C	1/4 X 1" Drive by Lgth, 4F-5R (Carded)
009-250SS6	1/4 X 1" Drive by Lgth, 6F-7R (Not carded)
009-250SS6C	1/4 X 1" Drive by Lgth, 6F-7R (Carded)
009-250SS8	1/4 X 1" Drive by Lgth, 8F-10R (Not carded)
009-250SS8C	1/4 X 1" Drive by Lgth, 8F-10R (Carded)
009-250SS10	1/4 X 1" Drive by Lgth, 12F-14R (Not carded)
009-250SS10C	1/4 X 1" Drive by Lgth, 12F-14R (Carded)



Star Insert Bits

Part#	Description
009-000T10	1/4 X 1" Drive by Lgth, #10 (Not carded)
009-000T15	1/4 X 1" Drive by Lgth, #15 (Not carded)
009-000T15C	1/4 X 1" Drive by Lgth, #15 (Carded)
009-000T20	1/4 X 1" Drive by Lgth, #20 (Not carded)
009-000T20C	1/4 X 1" Drive by Lgth, #20 (Carded)
009-000T25	1/4 X 1" Drive by Lgth, #25 (Not carded)
009-000T25C	1/4 X 1" Drive by Lgth, #25 (Carded)
009-000T40	1/4 X 1" Drive by Lgth, #40 (Not carded)
009-000T40C	1/4 X 1" Drive by Lgth, #40 (Carded)



Double End Bit

009-DEB28	1/4 Hex Drive 2" Lgth, Screw Size #2 Phillips & #8 Slotted (Not carded)
-----------	---



Shanks For Reversible Socket

009-2SHS	Roll Pin 1/4" Hex, 2" Lgth, 1/4 Drive Size (Not Carded)
----------	---



Square Recess And Clutch Bits

Square Recess Power Bits

Part#	Description
009-250QB2P3C	1/4 X 3" Drive by Lgth, #2 (Carded)
009-250QB3P3C	1/4 X 3" Drive by Lgth, #3 (Carded)
009-250QB2P4	1/4 X 4" Drive by Lgth, #2 (Not Carded)
009-250QB2P4C	1/4 X 4" Drive by Lgth, #2 (Carded)
009-250QB2P6	1/4 X 6" Drive by Lgth, #2 (Not Carded)
009-250QB2P6C	1/4 X 6" Drive by Lgth, #2 (Carded)
009-250QB1P	1/4 X 2" Drive by Lgth, #1 (Not Carded)
009-250QB1PC	1/4 X 2" Drive by Lgth, #1 (Carded)
009-250QB2P	1/4 X 2" Drive by Lgth, #2 (Not Carded)
009-250QB2PC	1/4 X 2" Drive by Lgth, #2 (Carded)
009-250QB3P	1/4 X 2" Drive by Lgth, #3 (Not Carded)
009-250QB3PC	1/4 X 2" Drive by Lgth, #3 (Carded)
009-250QB1P3C	1/4 X 3" Drive by Lgth, #1 (Carded)
009-250QB2P3	1/4 X 3" Drive by Lgth, #2 (Not Carded)



Square Recess Insert Bits

Part#	Description
009-250R1	1/4 X 1" Drive by Lgth, #1 (Not Carded)
009-250R1C	1/4 X 1" Drive by Lgth, #1 (Carded)
009-250R2	1/4 X 1" Drive by Lgth, #2 (Not Carded)
009-250R2C	1/4 X 1" Drive by Lgth, #2 (Carded)
009-250R3	1/4 X 1" Drive by Lgth, #3 (Not Carded)
009-250R3C	1/4 X 1" Drive by Lgth, #3 (Carded)



Clutch Power Bits

Part#	Description
009-100A2	1/4X1-15/16" Drive by Lgth, 1/8-A (Not Carded)
009-100A2C	1/4X1-15/16" Drive by Lgth, 1/8-A (Carded)
009-100A3	1/4X1-15/16" Drive by Lgth, 5/32-A (Not Carded)
009-100A3C	1/4X1-15/16" Drive by Lgth, 5/32-A (Carded)
009-100A4	1/4X1-15/16" Drive by Lgth, 3/16-A (Not Carded)
009-100A4C	1/4X1-15/16" Drive by Lgth, 3/16-A (Carded)
009-100C3	1/4X1-15/16" Drive by Lgth, 5/32-G (Not Carded)
009-100C3C	1/4X1-15/16" Drive by Lgth, 5/32-G (Carded)
009-100C4	1/4X1-15/16" Drive by Lgth, 3/16-G (Not Carded)
009-100C4C	1/4X1-15/16" Drive by Lgth, 3/16-G (Carded)



Clutch Insert Bits

Part#	Description
009-000A3	1/4 X 1-1/4" Drive by Lgth, 5/32-A
009-000A3C	1/4 X 1-1/4" Drive by Lgth, 5/32-A (Carded)
009-000A4	1/4 X 1-1/4" Drive by Lgth, 3/16-A (Not Carded)
009-000A4C	1/4 X 1-1/4" Drive by Lgth, 3/16-A (Carded)
009-000C3	1/4 X 1-1/4" Drive by Lgth, 5/32-G (Not Carded)
009-000C3C	1/4 X 1-1/4" Drive by Lgth, 5/32-G (Carded)
009-000C4	1/4 X 1-1/4" Drive by Lgth, 3/16-G (Not Carded)
009-000C4C	1/4 X 1-1/4" Drive by Lgth, 3/16-G (Carded)



Magnetic Reversible Socket

009-MRS1/4C	Straight 1/4" Hex, 1" Drive by Lgth (Carded)
-------------	--



Magnetic Power Bit Holder

009-304CR	1/4 X 3" Drive by Lgth, 1/4 (Not Carded)
009-304CRC	1/4 X 3" Drive by Lgth, 1/4 (Carded)



Non-Magnetic Sockets

009-250ST1/4	Tapered 1/4" Square Driver, Lgth 1, Drive 1/4 (Not Carded)
009-250ST5/16	Tapered 1/4" Square Driver, Lgth 1, Drive 5/16 (Not Carded)



Non-Magnetic Power Bit Holder

009-BH1/4	1/4 X 2" Drive by Lgth, 1/4 (Not Carded)
009-BH1/4C	1/4 X 2" Drive by Lgth, 1/4 (Carded)



Sockets And Nutsetters

Magnetic Sockets



Tapered	Shoulder
009-250MS1/4	Shoulder 1/4" Square Driver, Lgth 1, Drive 1/4 (Not Carded)
009-250MST1/4	Tapered 1/4" Square Driver, Lgth 1, Drive 1/4 (Not Carded)
009-250MST1/4C	Tapered 1/4" Square Driver, Lgth 1, Drive 1/4 (Carded)
009-250MS5/16	Shoulder 1/4" Square Driver, Lgth 1, Drive 5/16 (Not Carded)
009-250MS5/16C	Shoulder 1/4" Square Driver, Lgth 1, Drive 5/16 (Carded)
009-250MST5/16	Tapered 1/4" Square Driver, Lgth 1, Drive 5/16 (Not Carded)
009-250MST5/16C	Tapered 1/4" Square Driver, Lgth 1, Drive 5/16 (Carded)
009-250MS3/8	Tapered 1/4" Square Driver, Lgth 1, Drive 3/8 (Not Carded)
009-250MS3/8C	Tapered 1/4" Square Driver, Lgth 1, Drive 3/8 (Carded)

Magnetic Power Nutsetters



009-104	1/4X1-3/4" Drive by Lgth, 1/4 (Not Carded)
009-104C	1/4X1-3/4" Drive by Lgth, 1/4 (Carded)
009-104-50	1/4X1-3/4" Drive by Lgth, 1/4 (50 Piece Box)
009-105	1/4X1-3/4" Drive by Lgth, 5/16 (Not Carded)
009-105C	1/4X1-3/4" Drive by Lgth, 5/16 (Carded)
009-105-50	1/4X1-3/4" Drive by Lgth, 5/16 (50 Piece Box)
009-106	1/4X1-3/4" Drive by Lgth, 3/8 (Not Carded)
009-106C	1/4X1-3/4" Drive by Lgth, 3/8 (Carded)
009-MSH7/16	1/4X1-3/4" Drive by Lgth, 7/16 (Carded)
009-134	1/4X2-9/16" Drive by Lgth, 1/4 (Not Carded)
009-134C	1/4X2-9/16" Drive by Lgth, 1/4 (Carded)
009-135	1/4X2-9/16" Drive by Lgth, 5/16 (Not Carded)
009-135C	1/4X2-9/16" Drive by Lgth, 5/16 (Carded)
009-136	1/4X2-9/16" Drive by Lgth, 3/8 (Not Carded)
009-136C	1/4X2-9/16" Drive by Lgth, 3/8 (Carded)
009-MSHL1/4-4	1/4 X 4" Drive by Lgth, 1/4 (Not Carded)
009-MSHL1/4-4C	1/4 X 4" Drive by Lgth, 1/4 (Carded)
009-MSHL1/4-6	1/4 X 6" Drive by Lgth, 1/4 (Not Carded)
009-MSHL1/4-6C	1/4 X 6" Drive by Lgth, 1/4 (Carded)

Magnetic Power Tapered Nutsetters



009-MSHB1/4	1/4 X 2" Drive by Lgth, 1/4 (Not Carded)
009-MSHB1/4C	1/4 X 2" Drive by Lgth, 1/4 (Carded)

Non-Magnetic Power Nutsetters



009-SH1/4	1/4X1-3/4" Drive by Lgth, 1/4 (Not Carded)
------------------	--

Magnetic Insert Nutsetters



009-MSHS1/4	1/4X1-1/8" Drive by Lgth, 1/4 (Not Carded)
009-MSHS1/4C	1/4X1-1/8" Drive by Lgth, 1/4 (Carded)

Screws

MH/RV Screws - Unslotted Hex Washer Head

Part #	Ctn Qty	Mstr Ctn	Ctn Wgt	Finish
012-TRB-8 x 1/2	15M		44.25	Zinc/Painted
012-TRB-8 x 3/4	9.6M		39.50	Zinc/Painted
012-TRB-8 x 1	7.5M		39.60	Zinc/Painted
012-TRB-8 x 1-1/4	6M		35.70	Zinc/Painted
012-TRB-8 x 1-1/2	6.5M		34.75	Zinc/Painted
012-TRB-8 x 2	3.5M		32.00	Zinc/Painted
012-TRB-8 x 2-1/2	3M		36.00	Zinc/Painted
012-TR1000-8 x 1/2	1M	10M	33	Zinc/Painted
012-TR1000-8 x 3/4	1M	10M	42	Zinc/Painted
012-TR1000-8 x 1	1M	10M	53	Zinc/Painted
012-TR1000-8 x 1-1/4	1M	10M	70	Zinc/Painted
012-TR1000-8 x 1-1/2	1M	10M	78	Zinc/Painted
012-TR500-8 x 1/2	500	5M	18	Zinc/Painted
012-TR500-8 x 3/4	500	5M	22	Zinc/Painted
012-TR500-8 x 1	500	5M	28	Zinc/Painted
012-TR500-8 x 1-1/4	500	5M	32	Zinc/Painted
012-TR500-8 x 1-1/2	500	5M	37	Zinc/Painted
012-TR250-8 x 2	250	2.5M	24	Zinc/Painted
012-TR250-8 x 2-1/2	250	2.5M		Zinc
012-TR100-8 x 1/2	100	1M	4	Zinc/Painted
012-TR100-8 x 3/4	100	1M	5	Zinc/Painted
012-TR100-8 x 1	100	1M	6	Zinc/Painted
012-TR100-8 x 1-1/4	100	1M	7	Zinc/Painted
012-TR100-8 x 1-1/2	100	1M	8	Zinc/Painted
012-TR100-8 x 2	100	1M	10	Zinc/Painted
012-TR100-8 x 2-1/2	100	1M	11	Zinc
010-TR50-8 x 1/2	50	500	2	Zinc/Painted
012-TR50-8 x 3/4	50	500	4	Zinc/Painted
012-TR50-8 x 1	50	500	4	Zinc/Painted
012-TR50-8 x 1-1/4	50	500	5	Zinc/Painted
012-TR50-8 x 1-1/2	50	500	5	Zinc/Painted
012-TR50-8 x 2	50	500		Zinc/Painted
012-TR100-10 x 1	100	1M		Zinc
012-TR100-10 x 2	100	1M		Zinc

Ordering Painted Screws (may fall under special order):

Stocking colors: (W) Polar White, (BL) Black, (BR) Brown, (CO) Colonial White, (BZ) Bronze.

To indicate color, insert color code into part # blank. Example: 012-TR1000W8x1/2



Square Recess Screws - Pan Head

Part #	Ctn Qty	Mstr Ctn	Ctn Wgt	Finish
012-PSQB-8 x 3/4	9.6M			Zinc/Painted/Bronze
012-PSQB-8 x 1	7.5M			Zinc/Painted/Bronze
012-PSQB-8 x 1-1/4	6M		36	Zinc/Painted/Bronze
012-PSQB-8 x 1-1/2	5M		35	Zinc/Painted/Bronze
012-PSQB-8 x 2	3.5M			Zinc/Painted/Bronze
012-PSQB-8 x 3	1.5M			Zinc/Bronze
012-PSQ1000-8 x 5/8	1M	10M	40	Zinc
012-PSQ1000-8 x 3/4	1M	10M	42	Zinc/Painted/Bronze
012-PSQ1000-8 x 1	1M	10M	53	Zinc/Painted/Bronze
012-PSQ1000-8 x 1-1/4	1M	10M	70	Zinc/Painted/Bronze
012-PSQ1000-8 x 1-1/2	1M	10M	78	Zinc/Painted/Bronze
012-PSQ500-8 x 3/4	500	5M	21	Zinc/Painted/Bronze
012-PSQ500-8 x 1	500	5M	25	Zinc/Painted/Bronze
012-PSQ500-8 x 1-1/4	500	5M	29	Zinc/Painted/Bronze
012-PSQ500-8 x 1-1/2	500	5M	35	Zinc/Painted/Bronze
012-PSQ500-8 x 3	500	5M		Zinc/Bronze
012-PSQ250-8 x 2	250	2.5	23	Zinc/Painted
012-PSQ100-8 x 3	100	1M	16	Zinc/Bronze
012-PSQ50-8 x 3/4	50	500	3	Zinc/Painted/Bronze
012-PSQ50-8 x 1	50	500	3	Zinc/Painted/Bronze
012-PSQ50-8 x 1-1/4	50	500	4	Zinc/Painted/Bronze
012-PSQ50-8 x 1-1/2	50	500	4	Zinc/Painted/Bronze
012-PSQ50-8 x 2			5	Zinc/Painted

Ordering Painted Screws (may fall under special order):

Stocking colors: (W) Polar White, (BL) Black, (BR) Brown, (CO) Colonial White, (BZ) Bronze.

To indicate color, insert color code into part # blank.



Screws

Unslotted Hex Washer Head Self Drilling - Zinc Plate

Part #	Ctn Qty	Mstr Ctn	Ctn Wgt	Finish
012-DPB 8 x 1/2	10M			Zinc
012-DPB 8 x 3/4	10M			Zinc
012-DPB 8 x 1	8M			Zinc
012-DPB 8 x 1-1/4	6M			Zinc
012-DPB 8 x 1-1/2	5M			Zinc
012-DP500 8 x 1/2	500	5M	18	Zinc
012-DP500 8 x 3/4	500	5M	24	Zinc
012-DP500 8 x 1	500	5M	29	Zinc
012-DP500 8 x 1-1/4	500	5M	32	Zinc
012-DP500 8 x 1-1/2	500	5M	38	Zinc
012-DP100 8 x 1/2	100	1M	4	Zinc
012-DP100 8 x 3/4	100	1M	5	Zinc
012-DP100 8 x 1	100	1M	6	Zinc
012-DP100 8 x 1-1/2	100	1M	8	Zinc
012-DP50 8 x 1/2	50	500	2	Zinc
012-DP50 8 x 3/4	50	500	4	Zinc
012-DP50 8 x 1	50	500	4	Zinc
012-DP50 8 x 1-1/4	50	500	5	Zinc
012-DP50 8 x 1-1/2	50	500	5	Zinc
012-DP100 10 x 5/8	100	1M		Zinc
012-DP100 10 x 3/4	100	1M		Zinc
012-DP100 10 x 1	100	1M		Zinc
012-DP100 10 x 1-1/2	100	1M		Zinc
012-DP3/8B 14 x 3/1				Zinc
012-DP3/8B 14 x 1				Zinc
012-DP3/8 500 14 x 3/4	500			Zinc
012-DP3/8 500 14 x 1	500			Zinc
012-DP3/8 100 14 x 3/4	100			Zinc
012-DP3/8 100 14 x 1	100			Zinc



Flat Head - Square Recess Screws

Part #	Ctn Qty	Mstr Ctn	Ctn Wgt	Finish
012-FSQB-8 x 1	10M			Raw/Zinc
012-FSQB-8 x 1-1/2	8M			Raw/Bronze/Black/Zinc
012-FSQB-8 x 2	4.5M			Raw/Bronze/Black/Zinc
012-FSQB-8 x 2-1/2	2M			Raw/Bronze/Black/Zinc
012-FSQB-8 x 3	1M			Raw/Bronze/Black/Zinc
012-FSQB-8 x 4	1,000M			Raw
012-FSQ1000-8 x 1	1M	10M		Raw/Zinc
012-FSQ1000-8 x 1-1/2	1M	10M		Raw/Bronze/Black/Zinc
012-FSQ500-8 x 1	500	5M		Raw/Zinc
012-FSQ500-8 x 1-1/2	500	5M		Raw/Bronze/Black/Zinc
012-FSQ500-8 x 2	500	5M		Raw/Bronze/Black/Zinc
012-FSQ500-8 x 2-1/2	500	5M		Raw/Bronze/Black/Zinc
012-FSQ500-8 x 3	500	5M		Raw/Bronze/Black/Zinc
012-FSQ250-8 x 1-1/2	250	2.5M		Raw/Bronze/Black/Zinc
012-FSQ250-8 x 2	250	2.5M		Raw/Bronze/Black/Zinc
012-FSQ100-8 x 1-1/2	100	1M		Raw/Bronze/Black/Zinc
012-FSQ100-8 x 2	100	1M	10	Raw/Bronze/Black/Zinc
012-FSQ100-8 x 2-1/2	100	1M		Raw/Bronze/Black/Zinc
012-FSQ100-8 x 3	100	1M		Raw/Bronze/Black/Zinc
012-FSQ100-8 x 4	100	1M		Raw/Black/Zinc
012-FSQ25-8 x 1-1/2	25	250	2	Raw/Bronze/Black/Zinc
012-FSQ25-8 x 2	25	250	3	Raw/Bronze/Black/Zinc
012-FSQ25-8 x 2-1/2	25	250	3	Raw/Bronze/Black/Zinc
012-FSQ25-8 x 3	25	250		Raw/Bronze/Black/Zinc

Ordering Painted Screws (may fall under special order):

Stocking colors: (W) Polar White, (BL) Black, (BR) Brown, (CO) Colonial White, (BZ) Bronze.

To indicate color, insert color code into part # blank.



Screws

Tri-Screws - Pan Head Self Drilling - Zinc

Part #	Ctn Qty	Mstr Ctn	Ctn Wgt	Finish
012-PTKB 8 x 3/4	9.5M			Zinc
012-PTKB 8 x 1	7.5M			Zinc
012-PTKB 8 x 1-1/2	5M			Zinc
012-PTK 500 8 x 3/4	500			Zinc
012-PTK 500 8 x 1	500			Zinc
012-PTK 500 8 x 1-1/2	500			Zinc
012-PTK 100 8 x 3/4	100			Zinc
012-PTK 100 8 x 1	100			Zinc
012-PTK 100 8 x 1-1/2	100			Zinc



Tri-Drive Oval Head Screws

Part #	Ctn Qty	Mstr Ctn	Ctn Wgt	Finish
012-RTB-6 x 1	11M			Zinc/Painted
012-RTB-6 x 1-1/2	10M			Zinc/Painted
012-RT 500-6 x 1	500			Zinc
012-RT 500-6 x 1-1/2	500			Zinc/Painted
012-RT200-6 x 1-1/2	200	2M		Zinc/Painted
012-RT100-6 x 1	100			Zinc
012-RT100-6 x 1-1/2	100			Painted
012-RT50-6 x 1-1/2	50			Zinc/Painted

Ordering Painted Screws (may fall under special order):
 Stocking colors: (W) Polar White, (BL) Black, (BR) Brown, (CO) Colonial White, (BZ) Bronze.
 To indicate color, insert color code into part # blank.



Pan Washer Head - Tri Screws

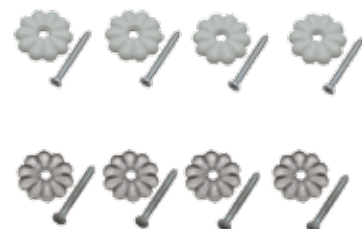
Part #	Ctn Qty	Mstr Ctn	Ctn Wgt	Finish
012-PTWB-8 x 3	2M			Zinc
012-PTW1000-8 x 3/4	1M	10M		Zinc
012-PTW1000-8 x 1	1M	10M		Zinc
012-PTW1000-8 x 1-1/4	1M	10M		Zinc
012-PTW1000-8 x 1-1/2	1M	10M		Zinc
012-PTW500-8 x 3/4	500	5M	22	Zinc
012-PTW500-8 x 1	500	5M	28	Zinc
012-PTW500-8 x 1-1/2	500	5M	37	Zinc
012-PTW500-8 x 2	500	5M	46	Zinc
012-PTW500-8 x 3	500	5M	64	Zinc
012-PTW100-8 x 3/4	100	1M	5	Zinc
012-PTW100-8 x 1	100	1M	6	Zinc/White
012-PTW100-8 x 1-1/2	100	1M	8	Zinc
012-PTW100-8 x 2	100	1M	10	Zinc
012-PTW100-8 x 3	100	1M	13	Zinc

Ordering Painted Screws (may fall under special order):
 Stocking colors: (W) Polar White, (BL) Black, (BR) Brown, (CO) Colonial White, (BZ) Bronze.
 To indicate color, insert color code into part # blank.



Rosettes & Screws

Part #	Carton Qty	Master Ctn
012-RC50 (Rosette/Clear)	50	500
012-RW50 (Rosette/White)	50	500
012-RC500 (Rosette/Clear)	500	5M
012-RC200 (Rosette/Clear)	200	2M
012-RW500 (Rosette/White)	500	5M
012-RW200 (Rosette/White)	200	2M
012-RTC500 (Screw/Zinc)	500	5M
012-RTW500 (Screw/White)	500	5M
012-RTCR100 (Rosette & Screw-CL)	100	1M
012-RTWR100 (Rosette & Screw-WH)	100	1M
012-RTWR200 (Rosette & Screw-WH)	200	2M



Screws

Unslotted Hex Washer Head - Aluminum

Part #	Carton Quantity	Master Carton
012-ALU400 8 x 1-1/4	400	4M
012-ALU50 8 x 3/4	50	500
012-ALU50 8 x 1-1/4	50	500



Oval Head Phillips Screws - Bronze

Part #	Ctn Qty	Mstr Ctn	Ctn Wgt	Finish
012-PHBZB 6 x 5/8	4M			Bronze
012-PHBZ500 6 x 5/8	500			Bronze
012-PHBZ100 6 x 5/8	100			Bronze



Oval Head Phillips Screws

Rumble Buttons

Part #	Ctn Qty	Mstr Ctn	Ctn Wgt
012-RBB 10 x 1-1/8	2M		
012-RB500 10 x 1-1/8	500	5M	
012-RB250 10x 1-1/8	250	2.5M	
012-RB100 10 x 1-1/8	100	1M	
012-RB50 10x 1-1/8	50	500	

Self Taping Cargo Screw - Double Square Drive

Part #	Carton Quantity	Master Carton
012-CAR1000 11 x 1	1M	7M
012-CAR1000 11 x 3/4	1M	7M



Specialty Screws

Part #	Ctn Qty	Mstr Ctn	Ctn Wgt	Finish
Phillips Screw - Flat Head				
012-FPH50AB 6 x 5/8	50			Ant. Brass
Deck Screws				
012-GALV 8 x 2-1/2	1.5M			
Hex Head Lag Screws with Washers				
012-LW25 3/8 x 4	25	250		
012-LW25 3/8 x 5	25	250		
012-LW25 3/8 x 6	25	250		
012-LW25 3/8 x 7	25	250		
Hex Head Lag Screws - Raw				
012-LB 3/8 x 4	600			
012-LB 3/8 x 5	300			
012-LB 3/8 x 6	300			
012-LB 3/8 x 7	200			
012-LB 3/8 x 8	200			
012-LB 3/8 x 9	200			
012-LB 3/8 x 10	200			

Flat Washers (3/8") - Zinc

012-Washers-Bulk	50#		
012-Washers	50	500	

Flat Washers (2") - Zinc

012-Washers 2"	50	500	
----------------	----	-----	--



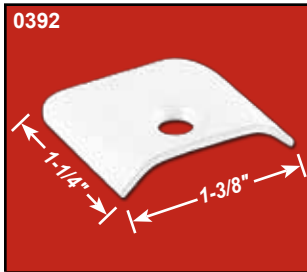
Flat Washers



Each extrusion individually sleeved. 5 pieces shipped in tube (End Cap is 10/ctn).

Aluminum Extrusions

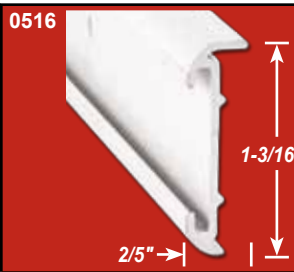
End Cap



021-39201
021-39202
021-39203
021-39204

Polar White
Black
Mill
Colonial White

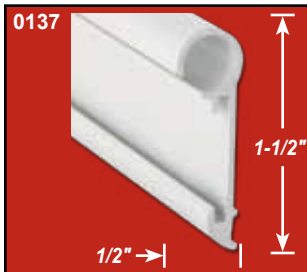
Short Lip Insert



021-51601-8
021-51601-16
021-51602-8
021-51602-16
021-51603-8
021-51603-16

Polar White- 8'
Polar White- 16'
Black- 8'
Black- 16'
Mill- 8'
Mill- 16'

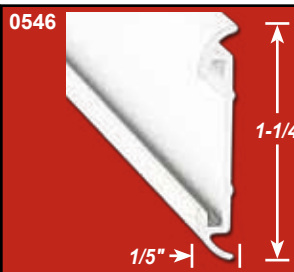
Inverted Insert Awning Rail



021-13701-8
021-13701-16
021-13702-8
021-13702-16

Polar White 8'
Polar White 16'
Black - 8'
Black - 16'

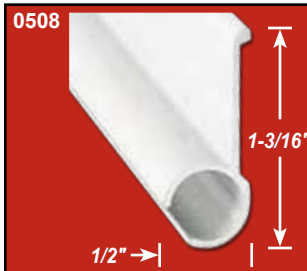
Flat Trim w/ Insert



021-54601-8
021-54601-16
021-54602-8
021-54602-16
021-54603-8
021-54603-16

Polar White- 8'
Polar White- 16'
Black- 8'
Black- 16'
Mill- 8'
Mill- 16'

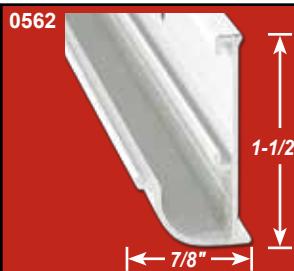
Standard Awning Rail



021-50801-8
021-50801-16
021-50802-8
021-50802-16
021-50803-8
021-50803-16
021-50804-8
021-50804-16

Polar White - 8'
Polar White - 16'
Black - 8'
Black - 16'
Mill - 8'
Mill - 16'
Colonial White - 8'
Colonial White - 16'

Insert Gutter Rail



021-56201-8
021-56201-16
021-56202-8
021-56202-16
021-56203-8
021-56203-16

Polar White- 8'
Polar White- 16'
Black- 8'
Black- 16'
Mill- 8'
Mill- 16'

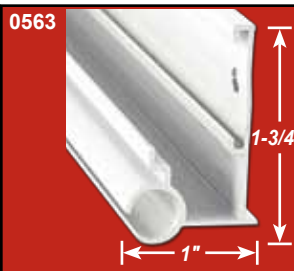
Insert Awning Rail



021-51001-8
021-51001-16
021-51002-8
021-51002-16
021-51003-8
021-51003-16
021-51004-8
021-51004-16

Polar White - 8'
Polar White - 16'
Black - 8'
Black - 16'
Mill - 8'
Mill - 16'
Colonial White - 8'
Colonial White - 16'

Insert Gutter/Awning Rail



021-56301-8
021-56301-16
021-56302-8
021-56302-16
021-56303-8
021-56303-16
021-56304-8
021-56304-16

Polar White - 8'
Polar White - 16'
Black - 8'
Black - 16'
Mill - 8'
Mill - 16'
Colonial White - 8'
Colonial White - 16'

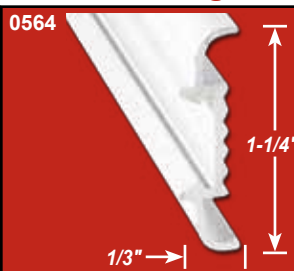
Non Insert Roof Rim



021-51101-8
021-51101-16
021-51102-6
021-51102-12
021-51103-8
021-51103-16

Polar White - 8'
Polar White - 16'
Black - 6'
Black - 12'
Mill - 8'
Mill - 16'

Insert Molding Trim



021-56401-8
021-56401-16
021-56402-8
021-56402-16
021-56403-8
021-56403-16

Polar White- 8'
Polar White - 16'
Black- 8'
Black- 16'
Mill- 8'
Mill- 16'

Aluminum Extrusions

Each extrusion individually sleeved. 5 pieces shipped in tube.

Insert Roof Edge

	0574	021-57401-8	Polar White- 8'
		021-57401-16	Polar White- 16'
		021-57402-8	Black- 8'
		021-57402-16	Black- 16'
		021-57403-8	Mill- 8'
		021-57403-16	Mill- 16'
		021-57404-8	Colonial White- 8'
	021-57404-16	Colonial White- 16'	

Short Leg Non Insert Trim

	0860	021-86001-8	Polar White- 8'
		021-86001-16	Polar White- 16'
		021-86002-8	Black- 8'
		021-86002-16	Black- 16'
		021-86003-8	Mill- 8'
		021-86003-16	Mill- 16'
		021-86004-8	Colonial White - 8'
	021-86004-16	Colonial White - 16'	

Seam Binder

	0598	021-59803-14	Mill- 14'

Long Leg Non Insert Trim

	0861	021-86101-8	Polar White- 8'
		021-86101-16	Polar White- 16'
		021-86102-8	Black- 8'
		021-86102-16	Black- 16'
		021-86103-8	Mill- 8'
		021-86103-16	Mill- 16'

Insert Corner Molding

	0850	021-85001-8	Polar White- 8'
		021-85001-16	Polar White- 16'
		021-85002-8	Black- 8'
		021-85002-16	Black- 16'
		021-85003-8	Mill- 8'
		021-85003-16	Mill- 16'
		021-85004-8	Colonial White - 8'
	021-85004-16	Colonial White - 16'	

Non Insert Flat Trim

	0872	021-87201-8	Polar White- 8'
		021-87201-16	Polar White- 16'
		021-87202-8	Black- 8'
		021-87202-16	Black- 16'
		021-87203-8	Mill- 8'
		021-87203-16	Mill- 16'

Long Leg Insert Corner Molding

	0852	021-85201-8	Polar White- 8'
		021-85201-16	Polar White- 16'
		021-85202-8	Black- 8'
		021-85202-16	Black- 16'
		021-85203-8	Mill- 8'
		021-85203-16	Mill- 16'

Drip Rail

	501	021-50101-8	Polar White - 8'
		021-50101-16	Polar White - 16'
		021-50102-8	Black - 8'
		021-50102-16	Black - 16'
		021-50103-8	Mill - 8'
		021-50103-16	Mill - 16'

2018[©]

AP **Products**

200 Jay Street
Coldwater, MI 49036
www.approducts.net
517-278-8521
800-417-2477
Fax: 517-278-2457